

IPC402C-MPC Series Mega Pixel CMOS HD Indoor Dome IP Camera Specifications



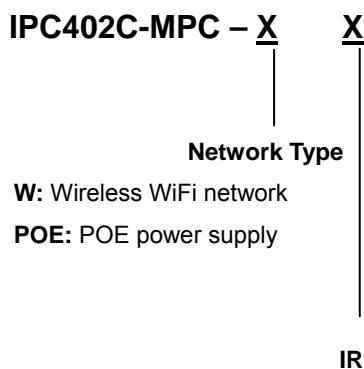
>>| Product Introduction

IPC402C-MPC series based on IP network, achieve network digital surveillance, transmit clear, smooth video surveillance images.

IPC402C-MPC Series uses 1/3" CMOS and advanced H.264 codec, Maximum resolution: 1600*1200, high cost performance. Supports dual streaming, Transmit high-quality H.264 video in the low-band width network environment smooth, also supports MJPEG compression; Built-in 2.8-12mm lens; Support audio, alarm function, provide third-party systems integration interface.

The series uses compact, lightweight ABS housing, metal base, light weight appearance, excellent thermal performance, Suitable for hotels, supermarkets, offices, corridors, stairways and other indoor surveillance sites. With video surveillance system software platform, can realize different network environments of large-scale network surveillance. Cooperate with video surveillance system platform software.

>>| Naming rules



>>| Key Features

- ◆ Max resolution:1600×1200, output Real-time HD 720P image
- ◆ 1/3" Progressive Scan CMOS, Capture motion images without jagged
- ◆ Built-in 2.8-12mm zoom lens
- ◆ 15IR LEDs, IR distance 10m
- ◆ Two-axis adjustable, easy to install construction

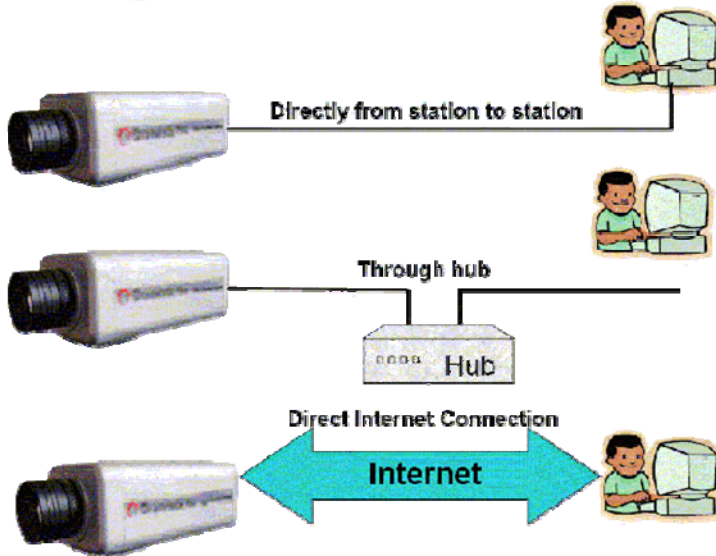
- ◆ H.264/MJEG is optional, dual streaming, low bandwidth, and high quality.
- ◆ Support two-way talking
- ◆ Support Micro SDHC card storage;SD2.0 standard, maximum storage 32G
- ◆ Multiple network protocol support, adapt to the LAN / WIFI Mobile
- ◆ Support motion detection, network fault detection, alarm recording, image snapping
- ◆ Support 4 area privacy mask
- ◆ Support motion detection, network fault detection and alarm video, image snapping
- ◆ Small shell, space saving
- ◆ User-friendly design, installation convenience
- ◆ Power supply DC12V/1A
- ◆ Support POE power supply
- ◆ High cost performance
- ◆ Support ONVIF protocol

>>| Applications Scenarios

Suitable for hotels, supermarkets, offices, corridors, stairways and other indoor surveillance sites.

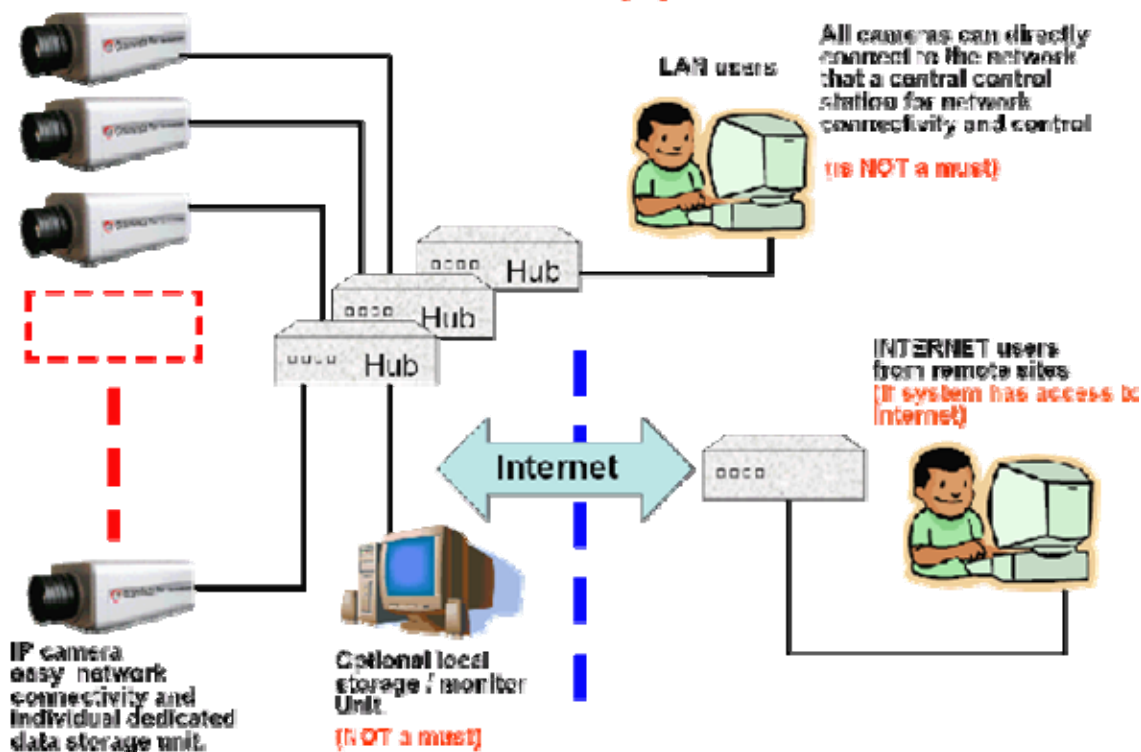
>>| Typical Application Diagram

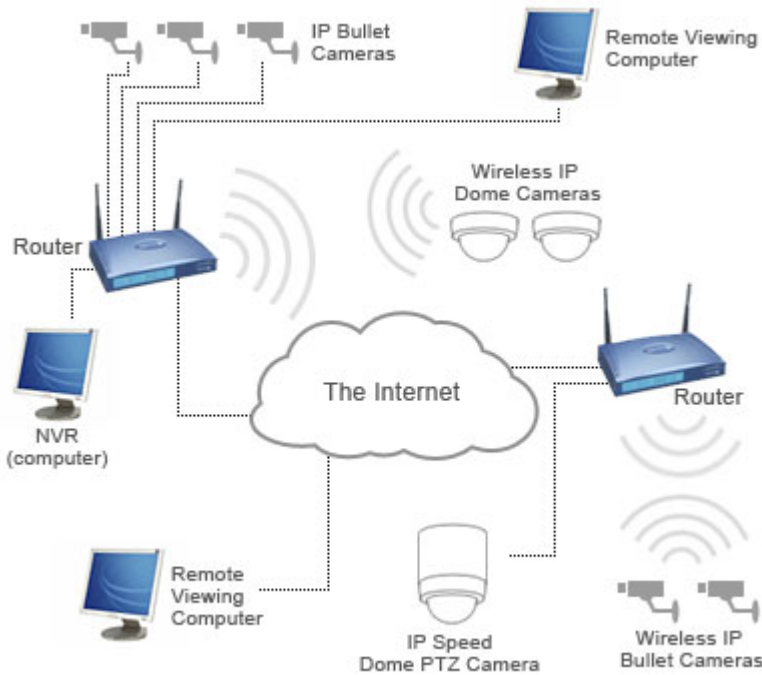
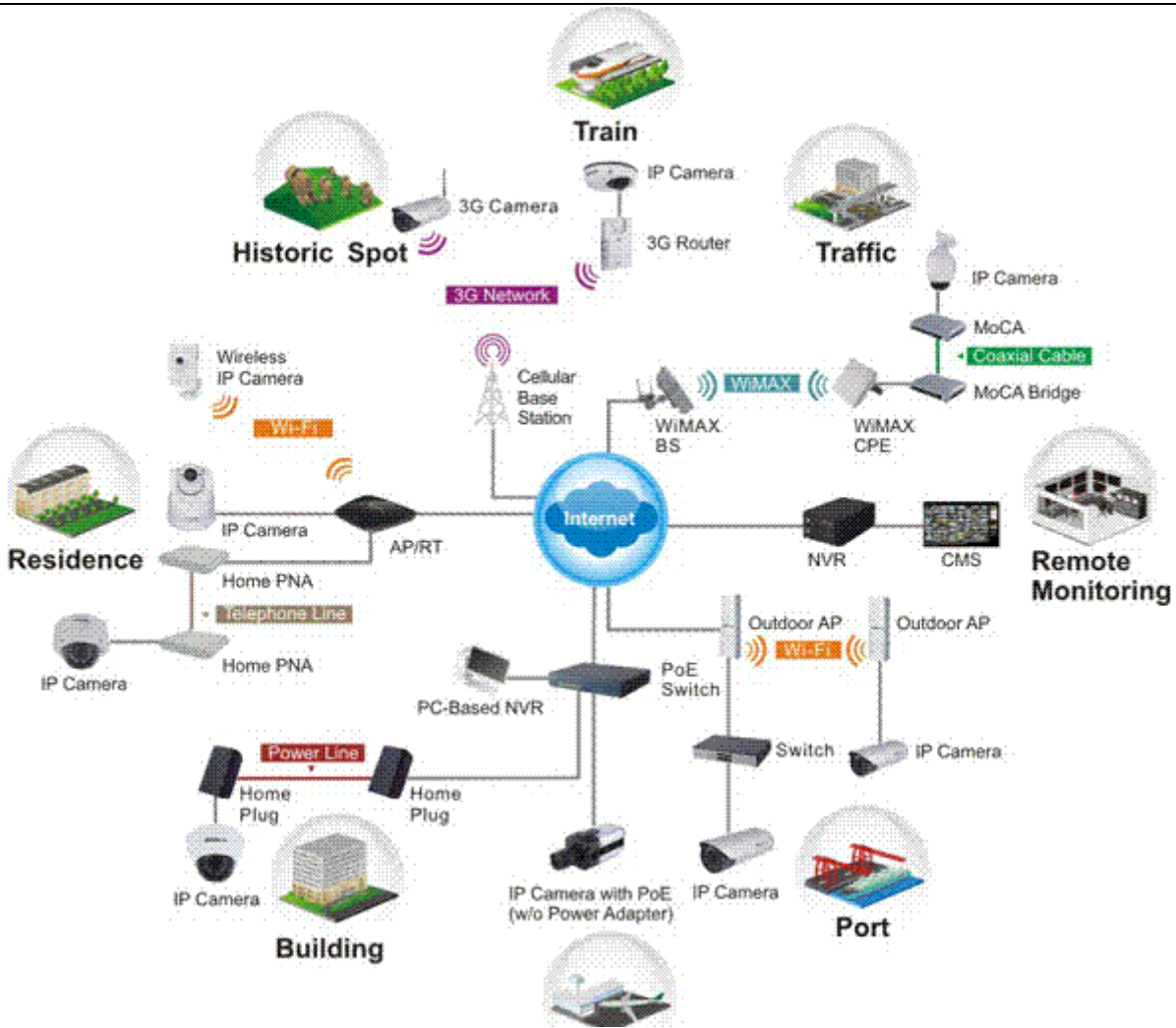
Single unit applications



- ✓ After it is setup and activated, the camera stores data on built-in SD card first-in-first-out basis. No maintenance is required.
- ✓ Ideal for single camera application. No central processing or data recording unit is required.
- ✓ Your most powerful and cost-effective choice for single camera application.

Multi-camera applications







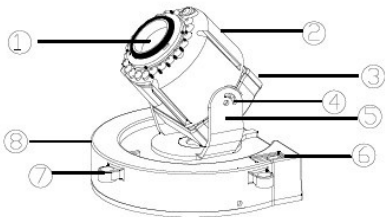
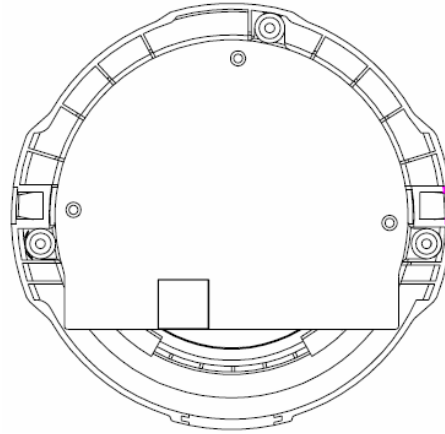
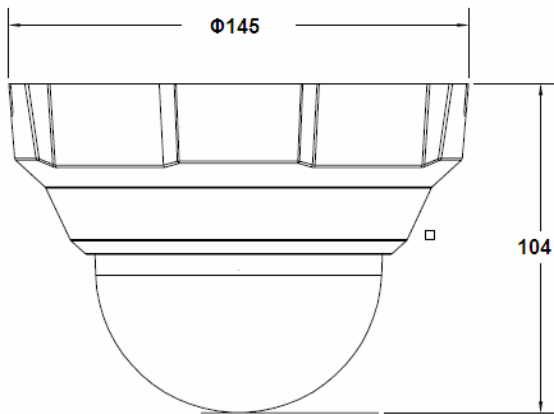
>>| Specification

Model		IPC402C-MPC/(-W)/(-POE)/(-IR)
Hardware		
Network chip	Lan	Realtek 10/100M BASE-TX Self-adapting
Sensor		1/3" Progressive Scan CMOS
Effective Pixels		1600(H)×1200(V)
Min. Illumination		Color Mode:0.5Lux @F1.2
S/N		≥50db(AGC OFF)
Auto Electronic Shutter		Auto
IR Parameters(-IR)		15 IR LEDs, IR distance 10m
Interfaces		
Optical lens	Interfaces	Φ14
	Lens	Manual zoom
	Focal Length	2.8-12mm
Audio Talkback		1 channel MIC input, External access, 3.5 mm audio interface
Audio Output		1 channel linear output, 3.5 mm audio interface
Storage Interface		Micro SD card supports video storage and image snapping; SD2.0 standard, maximum storage 32G
Network Interface	Lan	10/100M BASE-TX,RJ-45 connector
I/O		1-channel input, Normally Open/Normally Close modes adjustable; 1-channel output, 120VAC 1A/24VDC 1A,1 RS232 interface
Audio video encoding		

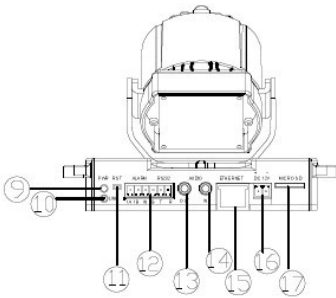
Video Compression		H.264 Main Profile; MJPEG/JPEG Baseline
Resolution	Master Streaming	1600*1200,1-15fps/sec 1280*960,1-25fps/sec 1280*720,1-25(30)fps/sec
	Second Streaming	640*480,1-25fps/sec 320*240,1-25fps/sec 160*112,1-25fps/sec
Video Bitrates		32Kbps~16Mbps,Supports CBR/VBR
Title OSD		Supports channel name, date, and video stream information overlay; OSD location is adjustable
Audio Compression		G.711, G.726,support 32 K stereo
Data transmission and storage		
Data storage		Video and Image
Recording		Recording set up to record by motion trigger, alarm trigger, manual, or schedule
Alarm Output		FTP,E-mail, Explorer, Software
Network protocol		TCP/IP,UDP,RTP,RTSP,RTCP,HTTP,DNS,DDNS,DHCP,FTP,NTP,PPPOE,SMTP,UPNP
Wireless protocols(-W)		802.11b/g,Supports WEP,WPA,WPA2("-w" model supports)
ONVIF protocol		Support
Remote View	Computer	Internet Explorer v6 or Later; Mozilla Firefox v1.5 or Later, or other Java-enabled Browsers, Chome, Opera, Sarafi, max 10user
	Mobile Phone	Windows Mobile, Symbian, iPhone
General Parameters		
Operating Temperature		-10℃ - +55℃
Operating Humidity		0% - 90%
Power		DC12V/POE(IEEE 802.3af)(Optional)
Power Consumption		5W(MAX)
Dimension		Φ145*104(H)mm
Weight		0.6KG
Models		Marks
IPC402C-MPC		
IPC402C-MPC-POE		with POE
IPC402C-MPC-W		with WiFi
IPC402C-MPC-IR		with IR, ICR
IPC402C-MPC-POE-IR		with PEO, IR, ICR
IPC402C-MPC-W-IR		With WiFi, IR, ICR

Notes:
 We packed the units with free accessories; default packed depends on stock and the device's feature requirement. If you need specify the type, please inform us when you order.

>>| Dimension Drawing



- ① 2.8-12mm VARIFOCAL LENS
- ② IR LIGHT SETS
- ③ SENSOR MODULE, X,Y AXIS ADJUSTABLE
- ④ HOLDING SCREW FOR VERTICAL ADJUSTING
- ⑤ HORIZONTALLY ROTATING HOLDER
- ⑥ VIDEO OUTPUT
- ⑦ SCREW HOLE FOR INSTALLING
- ⑧ PCBA BASE
- ⑨ POWER INDICATOR
- ⑩ NETWORK INDICATOR
- ⑪ RESET
- ⑫ ALARM IN/OUT, RS232
- ⑬ AUDIO OUT
- ⑭ AUDIO IN
- ⑮ RJ45
- ⑯ DC12V INPUT
- ⑰ SD CARD SLOT



>>| Installation Guide

