

## IPC402B Series Vandal-Proof Dome IP Camera Specifications



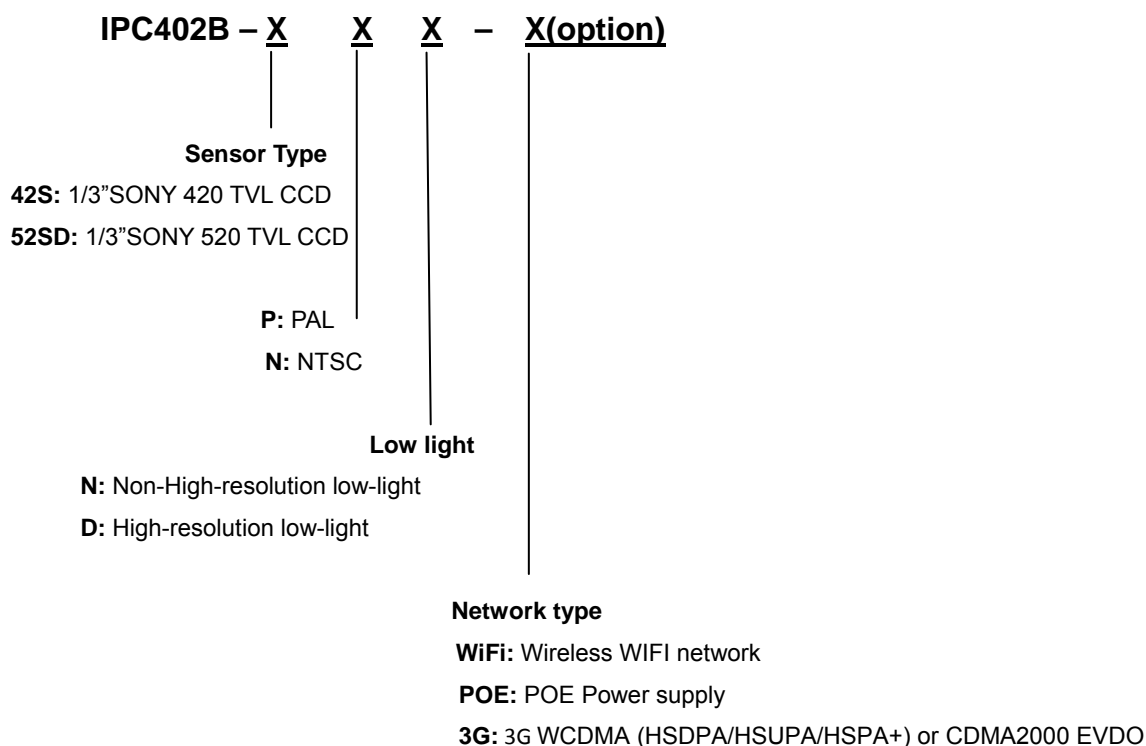
### >>| Product Introduction

IPC402B series based on IP network, achieve network digital surveillance, transmit clear, smooth video surveillance images.

IPC402B uses 1/3" SUPER HAD CCD and advanced H.264 codec, ax resolution:704\*576, Supports dual streaming, Transmit high-quality H.264 video in the low-band width network environment smooth , also supports MJPEG compression; Support audio, alarm, infrared night vision, provide third-party systems integration interface.

The series uses an integrated Vandal- proof shield, Excellent impact resistance, Applicable to natural environment or human factors need to prevent destruction of the place, such as coal mine, public security, banking, prison. Can be built-in infrared LED, low light or at night black zero illumination conditions can be clearly imaging. It is a good choice that upgrade from analog surveillance to network digital surveillance With video surveillance system software platform, can realize different network environments of large-scale network surveillance

### >>| Naming rules



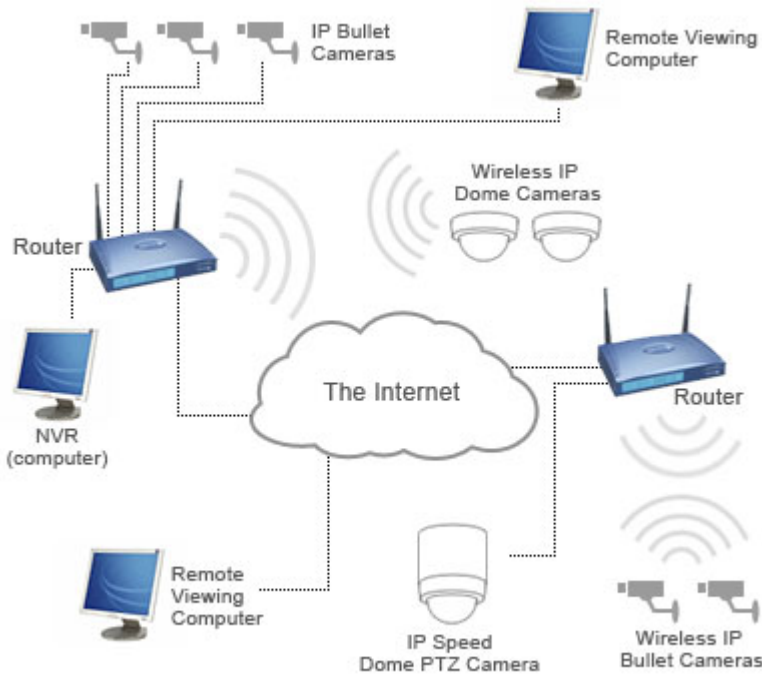
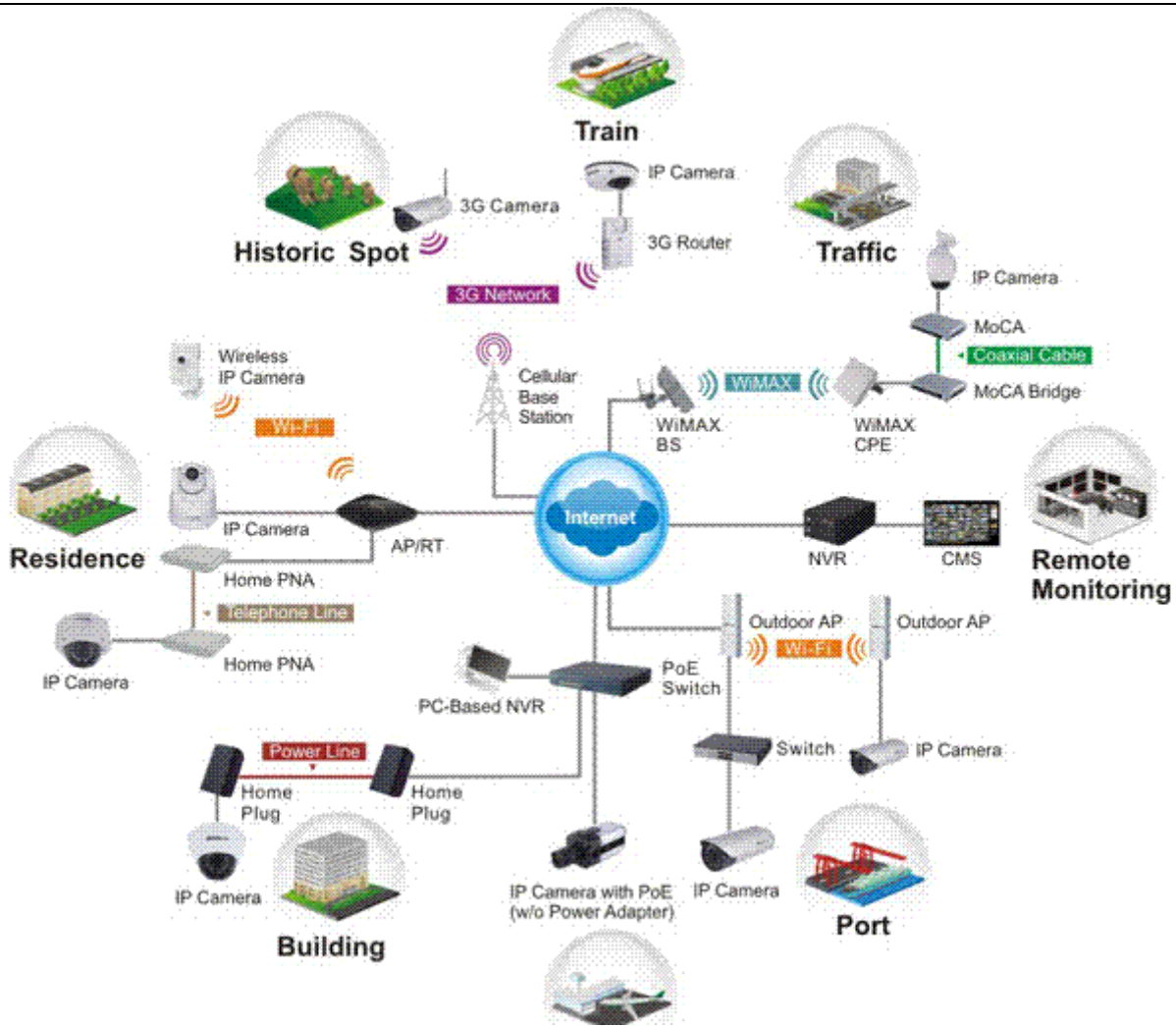
### >>| Key Features

- ◆ 1/3"SONY CCD
- ◆ Maximum resolution :704\*576
- ◆ IR Model support Color/BW mode converting
- ◆ Built-in 2.8-12mm zoom lens
- ◆ Three-axis adjustable, easy to install construction
- ◆ 21 IR LEDs, IR distance 15m
- ◆ H.264/MJEG is optional, dual streaming,high compression ratio,and high quality.
- ◆ Support two-way talking
- ◆ Support Micro SDHC storage; SD2.0 standard
- ◆ Support multiple network protocol, adapt to LAN / WIFI
- ◆ Support motion detection, network fault detection and alarm video, image snapping
- ◆ Support 4 areas privacy mask
- ◆ Built-in Web server enables the use of a standard Web browser for viewing and management.
- ◆ Vandal- proof shield
- ◆ Power:DC12V/1A
- ◆ Support POE power supply
- ◆ Support ONVIF protocol

## >>| Applications Scenarios

Suitable for financial, telecommunications, government, schools, airports, factories, hotels, museums, traffic monitoring, etc.

## >>| Typical Application Diagram





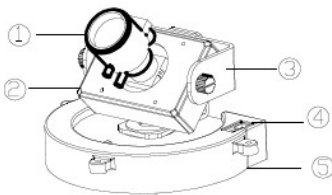
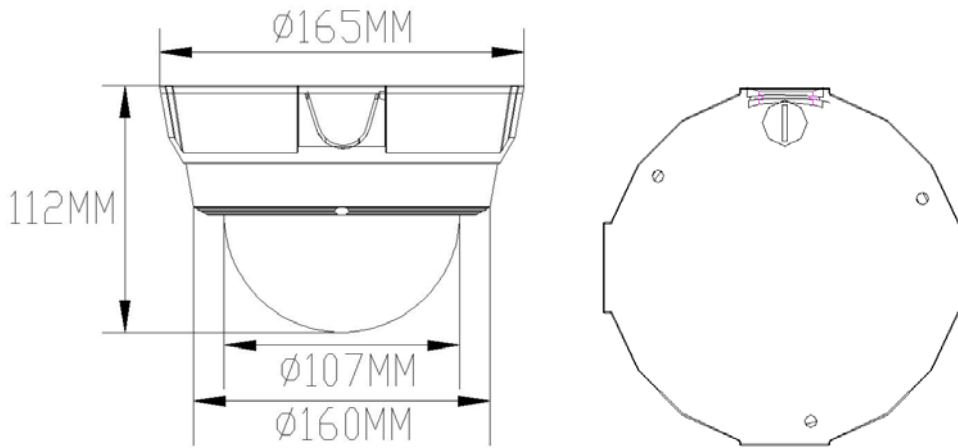
## >>| Specification

| Model               |              | IPC402B-42S(N)/(-W)/(-POE)/(-IR)   | IPC402B-52S(N)D/(-W)/(-POE)/(-IR)       |
|---------------------|--------------|--|---|
| <b>Hardware</b>     |              |  |   |
| Network chip        | Lan          | Realtek 10/100M BASE-TX Self-adapting  |   |
| Sensor              |              | 1/3"SONY SUPER HAD CCD   |   |
| Effective Pixels    |              | PAL:500(H)×582(V)<br>NTSC:510(H)×492(V)  | PAL:752(H)×582(V)<br>NTSC:768(H)×494(V) |
| Analog Video        |              | PAL/NTSC,420TVL  | PAL/NTSC,520TVL                         |
| Min. Illumination   |              | 0.1Lux(COLOR)@F1.2   | 0.01Lux(COLOR)@F1.2                     |
| Day/night (-IR)     |              | Auto   |   |
| IR Parameters (-IR) |              | 21 IR LEDs, IR distance 15m  |   |
| S/N                 |              | ≥50db(AGC OFF, Weight On)  |   |
| Electronic Shutter  |              | Auto   |   |
| <b>Interfaces</b>   |              |  |   |
| Optical lens        | Interfaces   | M12*0.5  |   |
|                     | Lens         | Fixed Iris   |   |
|                     | Focal Length | 2.8-12mm   |   |
| Audio Talkback      |              | 1 channel MIC input, External access, 3.5 mm audio interface   |   |
| Audio Output        |              | 1 channel linear output, 3.5 mm audio interface  |   |
| Storage Interface   |              | Micro SD card supports video storage and image snapping; SD2.0 standard, maximum storage 32G(Optional)                 |   |
| Network Interface   | Lan          | 10/100M BASE-TX,RJ-45 connector  |   |
| I/O                 |              | 1-channel input, Normally Open/Normally Close modes adjustable; 1-channel output, 120VAC 1A/24VDC 1A,1 RS232 interface |   |

| Audio video encoding          |                         |  |
|-------------------------------|-------------------------|--|
| Video Compression             |                         | H.264 Main Profile;<br>MJPEG/JPEG Baseline   |
| Resolution                    | Master/Second Streaming | D1:704*576(PAL),1-25fps/sec;704*480(N),1-30fps/sec<br>Half-D1:704*288(PAL),1-25fps/sec;704*240(N),1-30fps/sec<br>CIF:352*288(PAL),1-25fps/sec;352*240(N),1-30fps/sec<br>QCIF:176*144(PAL),1-25fps/sec;176*120(N),1-30fps/sec |
| Video Bitrates                |                         | 32Kbps~16Mbps,Supports CBR/VBR   |
| Title OSD                     |                         | Supports channel name, date, and video stream information overlay; OSD location is adjustable  |
| Audio Compression             |                         | G.711, G.726,support 32 K stereo   |
| Data transmission and storage |                         |  |
| Data storage                  |                         | Video and Image  |
| Recording                     |                         | Recording set up to record by motion trigger alarm trigger, manual, or schedule  |
| Alarm Output                  |                         | FTP,E-mail, Explorer, Software   |
| Network protocol              |                         | TCP/IP,UDP,RTP,RTSP,RTCP,HTTP,DNS,DDNS,DHCP,FTP,NTP,PPPOE,SMTP,UPNP  |
| Wireless protocols(-W)        |                         | 802.11b/g,Supports WEP,WPA,WPA2("-w" model supports)   |
| ONVIF protocol                |                         | Support  |
| Remote View                   | Computer                | Internet Explorer v6 or Later; Mozilla Firefox v1.5 or Later, or other Java-enabled Browsers, Chrome, Opera, Safari, max 10user  |
|                               | Mobile Phone            | Windows Mobile, Symbian, iPhone  |
| General Parameters            |                         |  |
| Vandal-proof capacity         |                         | 1 ton impact   |
| Operating Temperature         |                         | -10℃ - +55℃  |
| Operating Humidity            |                         | 0% - 90%   |
| Power                         |                         | DC12V/POE(IEEE 802.3af)(Optional)  |
| Power Consumption             |                         | 5W(MAX)  |
| Dimension                     |                         | 112(H) * Φ165(OD)mm  |
| Weight                        |                         | 1.5KG  |
| Optional Accessories          |                         |  |
| Lens                          | 2.8mm                   | Best for 3~8 meters, not support IR  |
| Lens                          | 4mm                     | Best for 4~12 meters, not support IR   |
| Lens                          | 6mm                     | Best for 8~18 meters, can support IR   |
| Lens                          | 8mm                     | Best for 12~20 meters, can support IR  |
| Models                        |                         | Marks  |
| IPC402B-42SD                  |                         | 1/3" SONY CCD, 420TVL  |
| IPC402B-52SD                  |                         | 1/3" SONY CCD, 520TVL  |
| IPC402B-XXXX-POE              |                         | With POE   |
| IPC402B-XXXX-IR               |                         | With IR  |

Notes:  
 We packed the units with free accessories; default packed depends on stock and the device's feature requirement. If you need specify the type, please inform us when you order.

## >>| Dimension Drawing



- ① 2.8-12mm VARIFOCA L LENS
- ② SENSOR MODULE, VERTICAL ADJUSTING
- ③ U BRACKET FOR CLOCKWISE OR COUNTER CLOCKWISE ROTATION
- ④ VIDEO OUTPUT
- ⑤ PCBA BASE
- ⑥ L BRACKET FOR CLOCKWISE OR COUNTER CLOCKWISE ROTATION
- ⑦ RESET
- ⑧ ALARM IN/OUT, RS232
- ⑨ AUDIO OUT
- ⑩ AUDIO IN
- ⑪ RJ45
- ⑫ DC 12V INPUT
- ⑬ SD CARD SLOT
- ⑭ HOLDING SCREW FOR U BRACKET
- ⑮ HOLDING SCREW FOR VERTICAL ADJUSTING

