

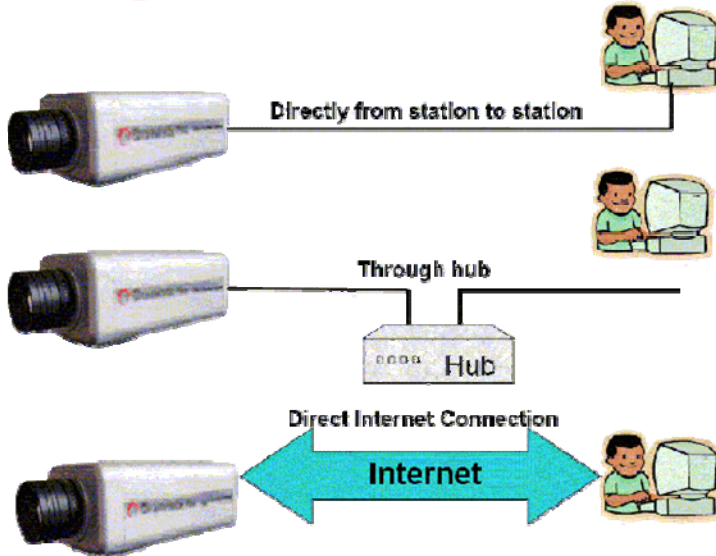
- ◆ 1/3" Progressive Scan CCD, Capture motion images without jagged
- ◆ Excellent low light performance.
- ◆ Support Color/BW mode converting; Auto ICR switch
- ◆ Built-in 2.8-12mm zoom lens
- ◆ Three-axis adjustable, easy to install construction
- ◆ Local CVBS video output , easy installation adjustment
- ◆ H.264/MJEG is optional, dual streaming, high compression ratio, and high quality.
- ◆ Support two-way talking
- ◆ Support Micro SDHC storage; SD2.0 standard
- ◆ Support motion detection, network fault detection and alarm video, image snapping
- ◆ Support 4 areas privacy mask
- ◆ Built-in Web server enables the use of a standard Web browser for viewing and management.
- ◆ Vandal- proof shield
- ◆ Power: DC12V/1A
- ◆ Support POE power supply
- ◆ Support ONVIF protocol

>>| Applications Scenarios

Suitable for financial, telecommunications, government, schools, airports, factories, hotels, museums, traffic monitoring and other requirements of high-definition picture and Vandal- proof places.

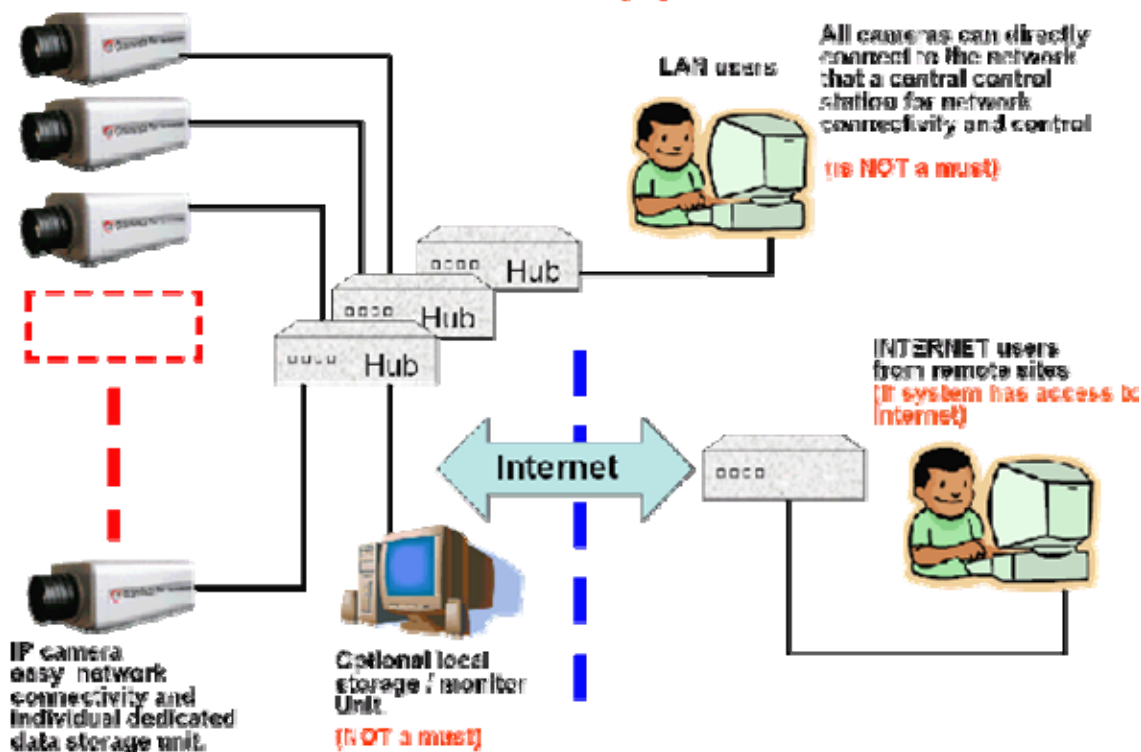
>>| Typical Application Diagram

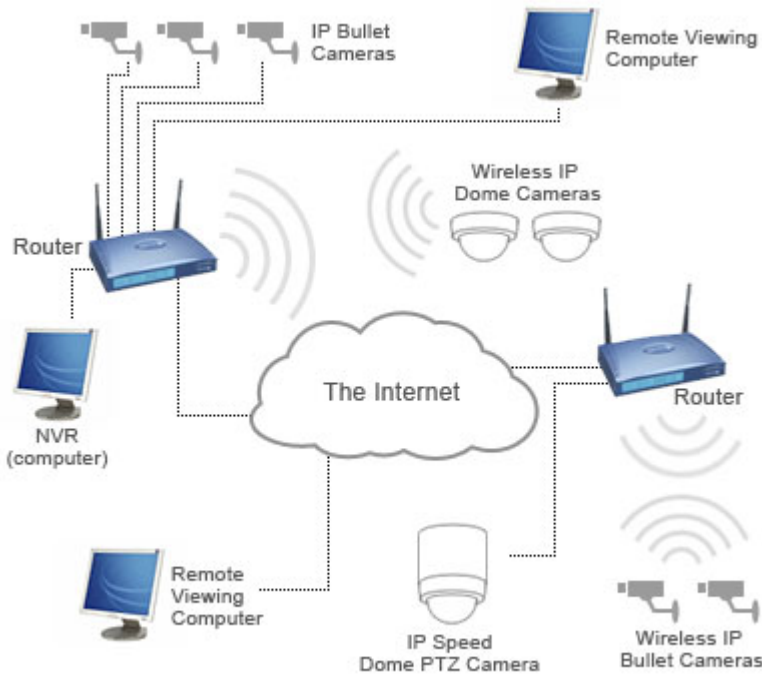
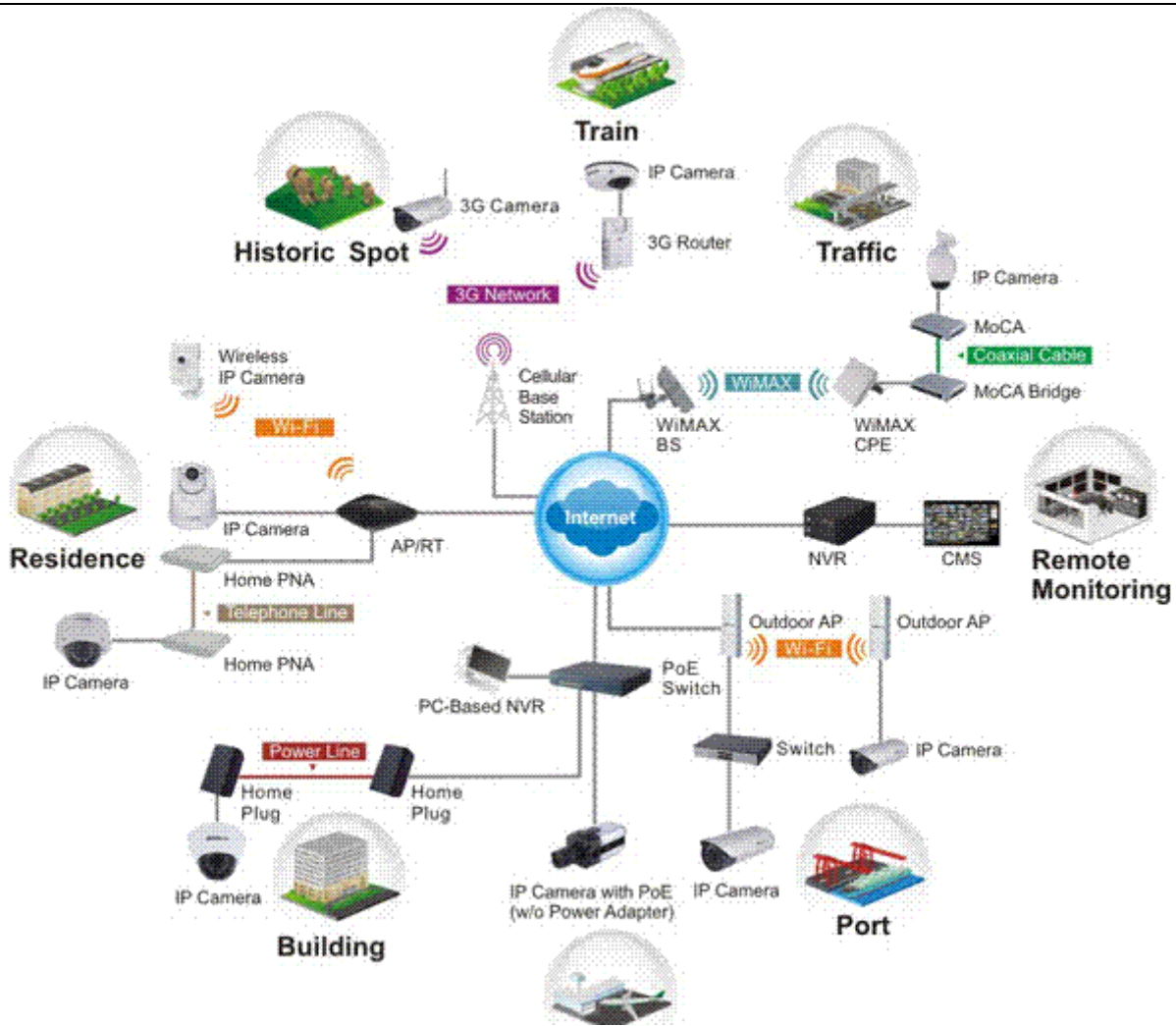
Single unit applications



- ✓ After it is setup and activated, the camera stores data on built-in SD card first-in-first-out basis. No maintenance is required.
- ✓ Ideal for single camera application. No central processing or data recording unit is required.
- ✓ Your most powerful and cost-effective choice for single camera application.

Multi-camera applications







>>| Specification

Model		IPC402B-MPS/(-W)/(-POE)/(ICR)
Hardware		
Network chip	Lan	Realtek 10/100M BASE-TX Self-adapting
Sensor		1/3" SONY Progressive Scan CCD
Effective Pixels		1280(H)×960(V)
Total pixels		1.3M
Min. Illumination		Color Mode:0.1Lux@F1.2;B/W Mode:0.01Lux@F1.2
S/N		≥50db(AGC OFF)
Day/night		ICR
Auto Electronic Shutter		1/25-1/10000sec,Slow shutter:1/2,1/4,1/8,1/12sec
Interfaces		
Optical lens	Interfaces	Φ14
	Lens	Manual zoom
	Focal Length	2.8-12mm
Audio Talkback		1 channel MIC input, External access, 3.5 mm audio interface
Audio Output		1 channel linear output, 3.5 mm audio interface
CVBS video output		1 channel ,BNC connector
Storage Interface		Micro SDHC card supports video storage and image snapping; SD2.0 standard, maximum storage 32G(Optional)
Network Interface	Lan	10/100M BASE-TX,RJ-45 connector
I/O		1-channel input, Normally Open/Normally Close modes adjustable; 1-channel output, 120VAC 1A/24VDC 1A,1 RS232 interface

Audio video encoding		
Video Compression		H.264 Main Profile; MJPEG/JPEG Baseline
Resolution	Master Streaming	1280*960,1-12.5fps/sec 1280*720,1-25fps/sec
	Second Streaming	640*480,1-25fps/sec 320*240,1-25fps/sec 160*112,1-25fps/sec
Video Bitrate		32Kbps~16Mbps,Supports CBR/VBR
Title OSD		Supports channel name, date, and video stream information overlay; OSD location is adjustable
Audio Compression		G.711, G.726,support 32 K stereo
Data transmission and storage		
Data storage		Video and Image
Recording		Recording set up to record by motion trigger, alarm trigger, manual, or schedule
Alarm Output		FTP,E-mail, Explorer, Software
Network protocol		TCP/IP,UDP,RTP,RTSP,RTCP,HTTP,DNS,DDNS,DHCP,FTP,NTP,PPPOE,SMTP,UPNP
Wireless protocols(-W)		802.11b/g,Supports WEP,WPA,WPA2("-w" model supports)
ONVIF protocol		Support
Remote View	Computer	Internet Explorer v6 or Later; Mozilla Firefox v1.5 or Later, or other Java-enabled Browsers, Chome, Opera, Safari, max 10user
	Mobile Phone	Windows Mobile, Symbian, iPhone
General Parameters		
Vandal- proof capacity		1 ton impact
Operating Temperature		-10℃ - +55℃
Operating Humidity		0% - 90%
Power		DC12V/POE(IEEE 802.3af)(Optional)
Power Consumption		7W(MAX)
Dimension		112(H) * Φ165mm
Weight		1.5kg
Models		Marks
IPC402B-MPS		Basic type
IPC402B-MPS-POE		With POE
IPC402B-MPS-W		With WiFi
IPC402B-MPS-ICR		With ICR
IPC402B-MPS-POE-ICR		With POE, ICR
IPC402B-MPS-W-ICR		With WiFi, ICR

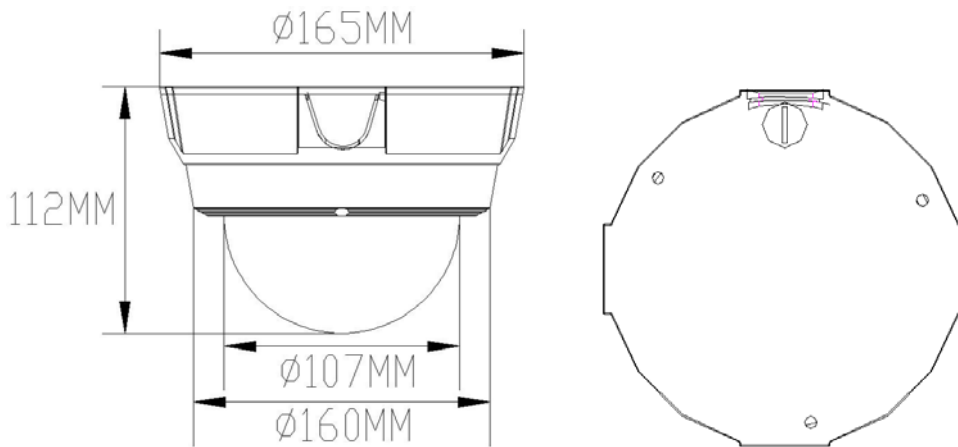
>>| Optional Accessories

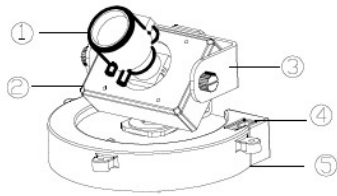


Notes:

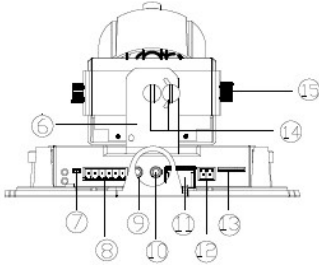
We packed the units with free accessories; default packed depends on stock and the device's feature requirement. If you need specify the type, please inform us when you order.

>>| Dimension Drawing





- ① 2.8-12mm VARIFOCAL LENS
- ② SENSOR MODULE, VERTICAL ADJUSTING
- ③ U BRACKET FOR CLOCKWISE OR COUNTER CLOCKWISE ROTATION
- ④ VIDEO OUTPUT
- ⑤ PCBA BASE
- ⑥ L BRACKET FOR CLOCKWISE OR COUNTER CLOCKWISE ROTATION



- ⑦ RESET
- ⑧ ALARM IN/OUT, RS232
- ⑨ AUDIO OUT
- ⑩ AUDIO IN
- ⑪ RJ45
- ⑫ DC 12V INPUT
- ⑬ SD CARD SLOT
- ⑭ HOLDING SCREW FOR U BRACKET
- ⑮ HOLDING SCREW FOR VERTICAL ADJUSTING

>>| Installation Guide

