

IPC402B-MPC Series Vandal-proof Dome IP Camera Specifications



>>| Product Introduction

IPC402B-MPC series is based on IP network, achieve network digital surveillance, transmit clear, smooth video surveillance images.

IPC402B-MPC series use mega pixels 1/3" CMOS ,use advanced H.264 codec, Supports dual streaming, Transmit high-quality H.264 video in the low-bandwidth network environment smooth , also supports MJPEG compression; Built-in 2.8-12mm lens; Support Color/BW mode converting; Support audio, alarm functions, provide third-party systems integration interface.

The series uses an integrated Vandal- proof shield, Excellent impact resistance, Applicable to natural environment or human factors need to prevent destruction of the place, such as coal mine, public security, banking, prison, with video surveillance system software platform, can realize different network environments of large-scale network surveillance.

>>| Naming rules

IPC402B-MPC – X – X

Network

W: Wireless WIFI network

POE: POE Power supply

IR: With IR LEDs

>>| Key Features

- ◆ Maximum resolution :1600×1200, output Real-time HD 720P image
- ◆ 1/3"Progressive Scan CMOS, Capture motion images without jagged
- ◆ Built-in 2.8-12mm zoom lens

E-Lins Technology Co., Limited

Add: 1007A, MinTai Bld., Minkang Road, Minzhi Street, Bao'an District, ShenZhen, 518000, China

Tel: +86-755-33231620 E-mail: sales@szelins.com www.szelins.com

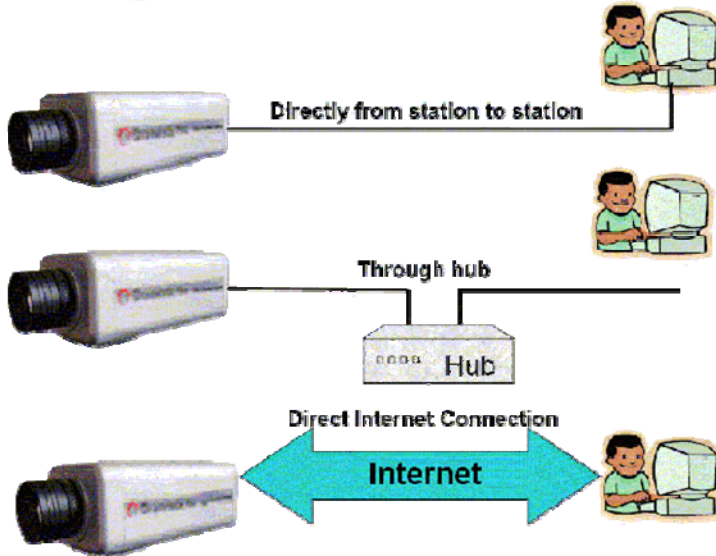
- ◆ 21 IR LEDs, IR distance 15m
- ◆ Three-axis adjustable, easy to install construction
- ◆ H.264/MJEG is optional, dual streaming, high compression ratio, and high quality.
- ◆ Support two-way talking
- ◆ Support Micro SDHC storage; SD2.0 standard
- ◆ Support multiple network protocol, adapt to LAN / WIFI
- ◆ Support motion detection, network fault detection and alarm video, image snapping
- ◆ Support 4 areas privacy mask
- ◆ Built-in Web server enables the use of a standard Web browser for viewing and management.
- ◆ Vandal- proof shield
- ◆ Power: DC12V/1A
- ◆ Support POE power supply
- ◆ Support ONVIF protocol

>>| Applications Scenarios

Suitable for financial, telecommunications, government, schools, airports, factories, hotels, museums, traffic monitoring and other requirements of high-definition picture and Vandal- proof places.

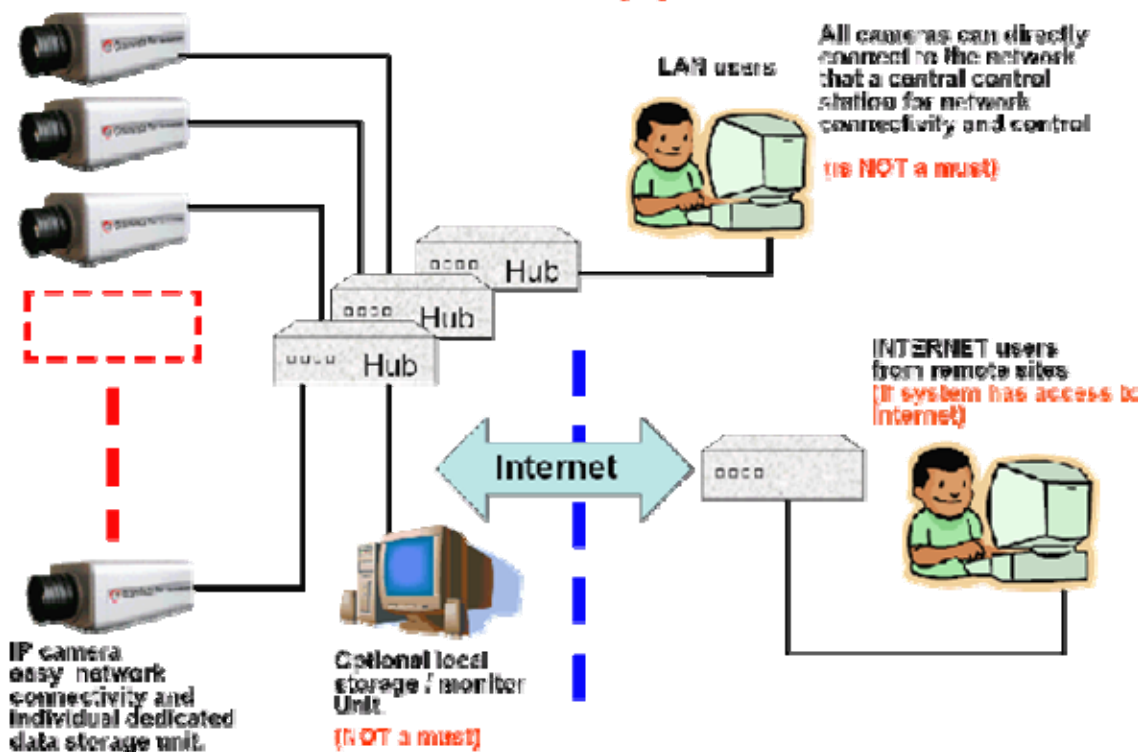
>>| Typical Application Diagram

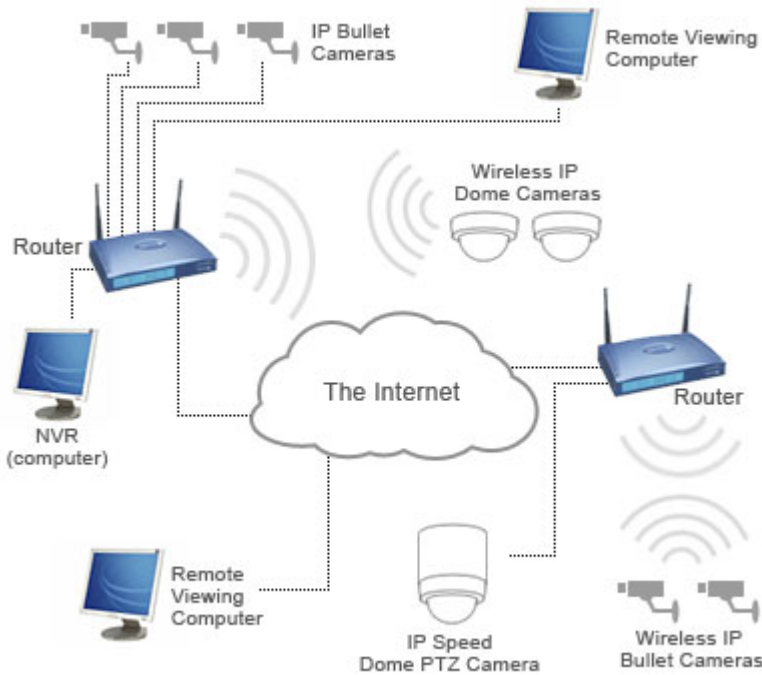
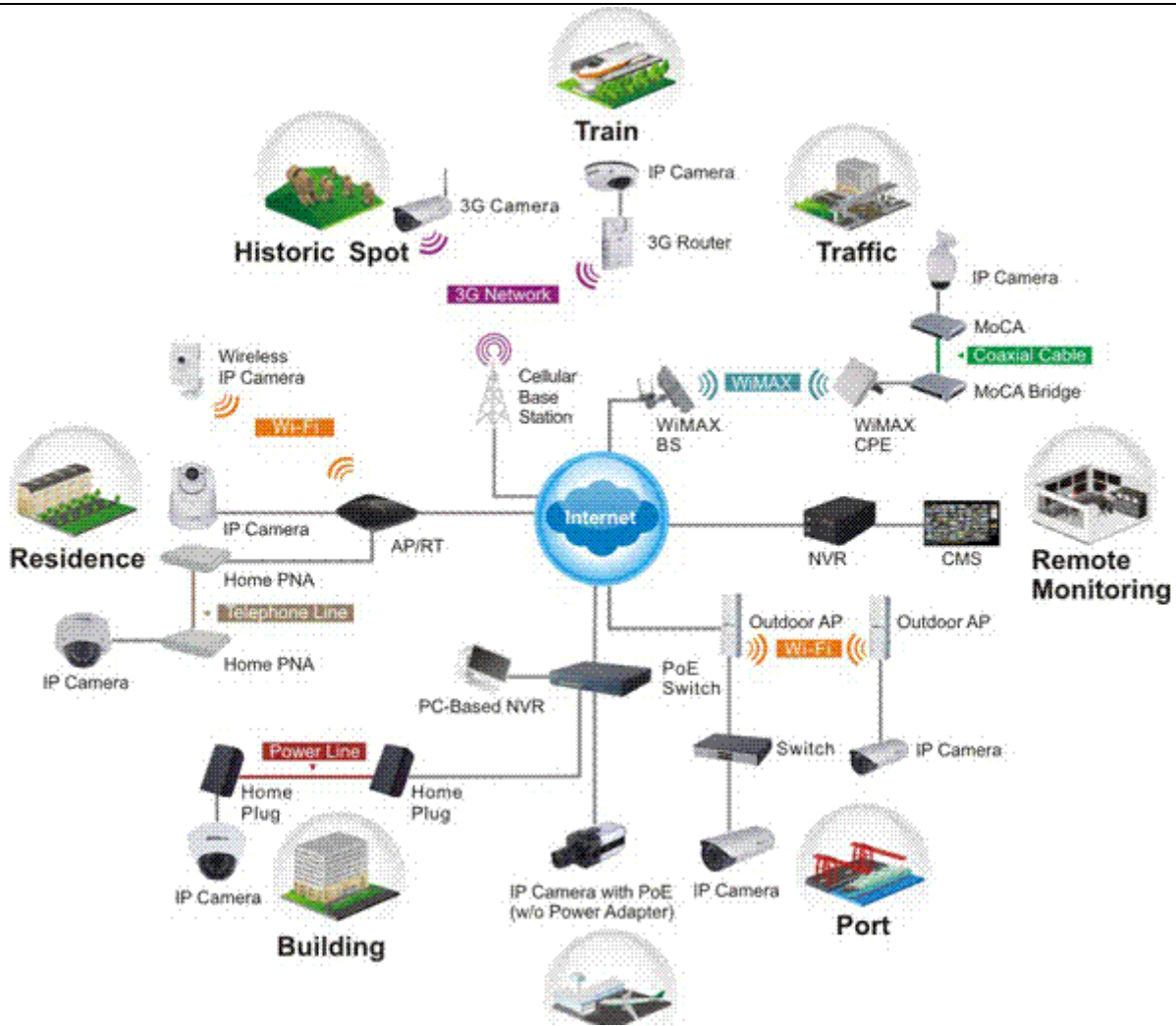
Single unit applications



- ✓ After it is setup and activated, the camera stores data on built-in SD card first-in-first-out basis. No maintenance is required.
- ✓ Ideal for single camera application. No central processing or data recording unit is required.
- ✓ Your most powerful and cost-effective choice for single camera application.

Multi-camera applications







>>| Specification

Model		IPC402B-MPC/(-W)/(-POE) /(-IR)
Hardware		
Network chip	Lan	Realtek 10/100M BASE-TX Self-adapting
Sensor		1/3" Progressive Scan CMOS
Effective Pixels		1600(H)×1200(V)
Min. Illumination		Color Mode:0.5Lux @F1.2, B/W Mode:0Lux @(F1.2,IR ON)
S/N		≥50db(AGC OFF)
IR Parameters(-IR)		21 IR LEDs, IR distance 15m
Auto Electronic Shutter		Auto
Interfaces		
Optical lens	Interfaces	Φ14
	Lens	Manual zoom
	Focal Length	2.8-12mm
Audio Talkback		1 channel MIC input, External access, 3.5 mm audio interface
Audio Output		1 channel linear output, 3.5 mm audio interface
Storage Interface		Micro SDHC card supports video storage and image snapping; SD2.0 standard, maximum storage 32G(Optional)
Network Interface	Lan	10/100M BASE-TX,RJ-45 connector
I/O		1-channel input, Normally Open/Normally Close modes adjustable; 1-channel output, 120VAC 1A/24VDC 1A,1 RS232 interface
Audio video encoding		
Video Compression	H.264 Main Profile; MJPEG/JPEG Baseline	

Resolution	Master Streaming	1600*1200, 1-15fps/sec 1280*960, 1-25fps/sec 1280*720, 1-25 (30) fps/sec
	Second Streaming	640*480, 1-25fps/sec 320*240, 1-25fps/sec 160*112, 1-25fps/sec
Video Bitrate	32Kbps~16Mbps, Supports CBR/VBR	
Title OSD	Supports channel name, date, and video stream information overlay; OSD location is adjustable	
Audio Compression	G.711, G.726, support 32 K stereo	
Data transmission and storage		
Data storage	Video and Image	
Recording	Recording set up to record by motion trigger, alarm trigger, manual, or schedule	
Alarm Output	FTP, E-mail, Explorer, Software	
Network protocol	TCP/IP, UDP, RTP, RTSP, RTCP, HTTP, DNS, DDNS, DHCP, FTP, NTP, PPPOE, SMTP, UPNP	
Wireless protocols (-W)	802.11b/g, Supports WEP, WPA, WPA2 ("-w" model supports)	
ONVIF protocol	Support	
Remote View	Computer	Internet Explorer v6 or Later; Mozilla Firefox v1.5 or Later, or other Java-enabled Browsers, Chrome, Opera, Safari, max 10user
	Mobile Phone	Windows Mobile, Symbian, iPhone
General Parameters		
Vandal- proof capacity	1 ton impact	
Operating Temperature	-10°C - +55°C	
Operating Humidity	0% - 90%	
Power	DC12V/POE(IEEE 802.3af)(Optional)	
Power Consumption	5W(MAX)	
Dimension	112(H) * Φ165mm	
Weight	1.5kg	
Models		Marks
IPC402B-MPC		
IPC402B-MPC-IR		with IR
IPC402B-MPC-POE		with POE
IPC402B-MPC-W		With WiFi
IPC402B-MPC-POE-IR		With POE, IR, ICR
IPC402B-MPC-W-IR		With WiFi, IR, ICR

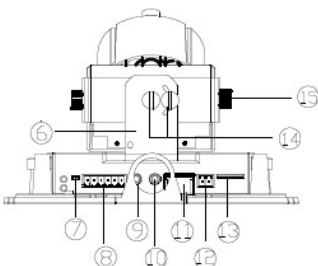
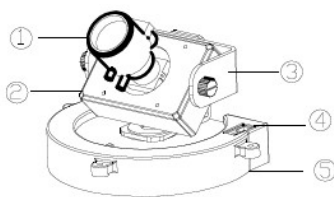
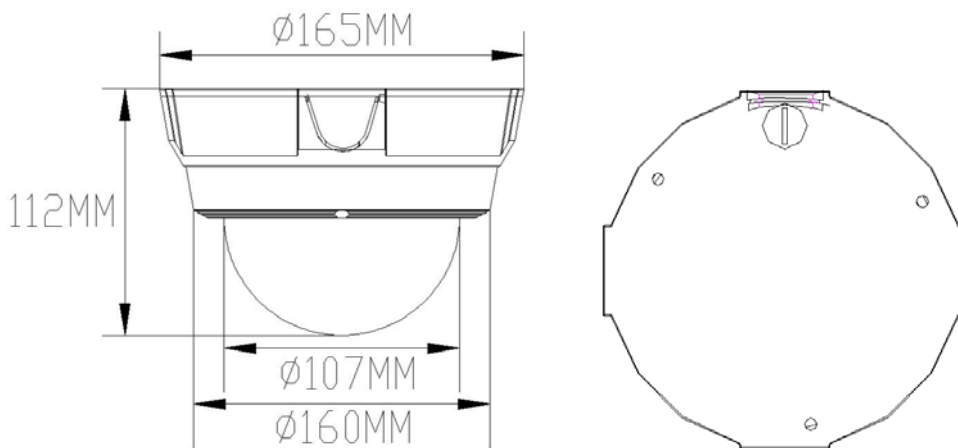
>>| Optional Accessories



Notes:

We packed the units with free accessories; default packed depends on stock and the device's feature requirement. If you need specify the type, please inform us when you order.

>>| Dimension Drawing



- ① 2.8-12mm VARIFOCAL LENS
- ② SENSOR MODULE, VERTICAL ADJUSTING
- ③ U BRACKET FOR CLOCKWISE OR COUNTER CLOCKWISE ROTATION
- ④ VIDEO OUTPUT
- ⑤ PCBA BASE
- ⑥ L BRACKET FOR CLOCKWISE OR COUNTER CLOCKWISE ROTATION
- ⑦ RESET
- ⑧ ALARM IN/OUT, RS232
- ⑨ AUDIO OUT
- ⑩ AUDIO IN
- ⑪ RJ45
- ⑫ DC 12V INPUT
- ⑬ SD CARD SLOT
- ⑭ HOLDING SCREW FOR U BRACKET
- ⑮ HOLDING SCREW FOR VERTICAL ADJUSTING

>>| Installation Guide

