

IPC402B-MPC-WDRD Vandal-proof Dome IP Camera Specifications



>>| Product Introduction

IPC402B-MPC-WDRD series is based on IP network, achieve network digital surveillance, and transmit clear, smooth video surveillance images.

IPC402B-MPC-WDRD uses mega pixels 1/3" CMOS, use advanced H.264 codec, Max resolution: 1280*720, excellent wide dynamic function, low light performance. Supports dual streaming, Transmit high-quality H.264 video in the low-band width network environment smooth, also supports MJPEG compression; Support audio, alarm, infrared night vision, IR-Cut auto switching, provide third-party systems integration interface.

The series uses an integrated Vandal-proof shield, Excellent impact resistance, Applicable to natural environment or human factors need to prevent destruction of the place, such as coal mine, public security, banking, prison. Can be built-in infrared LED, low light or at night black zero illumination conditions can be clearly imaging. It is a good choice that upgrade from analog surveillance to network digital surveillance. With video surveillance system software platform, can realize different network environments of large-scale network surveillance.

>>| Naming rules

IPC402B-MPC-WDRD – X – X

Network

W: Wireless WIFI network

POE: POE Power supply

IR: With IR LEDs

>>| Key Features

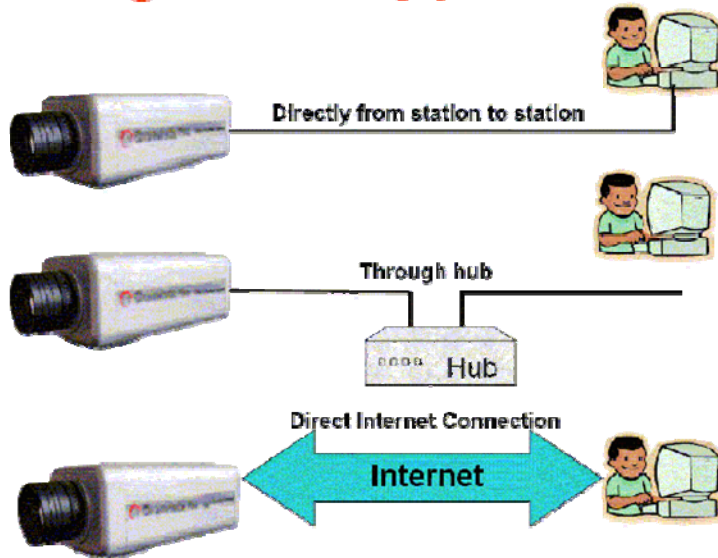
- ◆ Maximum resolution: 1280×720, output Real-time HD 720P image
- ◆ Excellent low light performance
- ◆ Excellent wide dynamic function, WDR≥100dB
- ◆ 1/3" Progressive Scan CMOS, Capture motion images without jagged
- ◆ Support auto Color/BW mode converting, auto ICR switching
- ◆ 21 IR LEDs, IR distance 15m
- ◆ Built-in Auto Iris 2.8-12mm zoom lens
- ◆ Three-axis adjustable, easy to install construction
- ◆ H.264/MJPEG is optional, dual streaming, high compression ratio, and high quality.
- ◆ Support two-way talking
- ◆ Support Micro SDHC storage; SD2.0 standard
- ◆ Support multiple network protocol, adapt to LAN / WIFI
- ◆ Support motion detection, network fault detection and alarm video, image snapping
- ◆ Support 4 area privacy mask
- ◆ Built-in Web server enables the use of a standard Web browser for viewing and management.
- ◆ Vandal- proof shield
- ◆ Power: DC12V/1A
- ◆ Support POE power supply
- ◆ Support ONVIF protocol

>>| Applications Scenarios

Suitable for financial, telecommunications, government, schools, airports, factories, hotels, museums, traffic monitoring and other requirements of high-definition picture and Vandal-proof places.

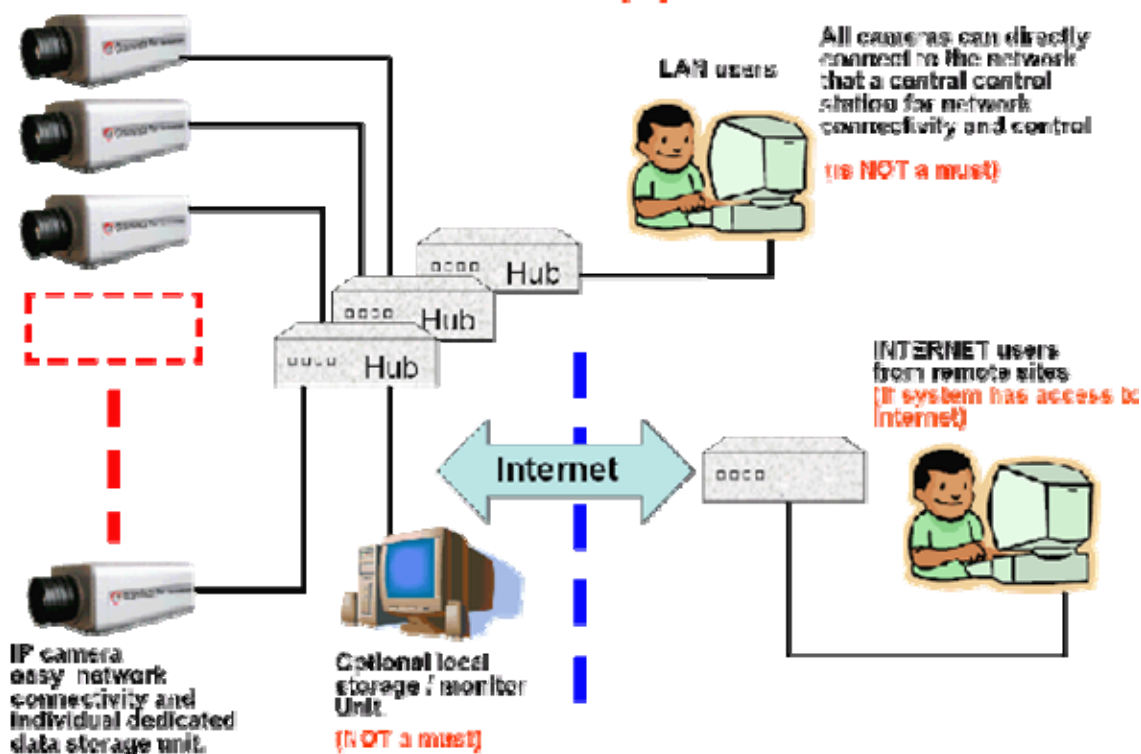
>>| Typical Application Diagram

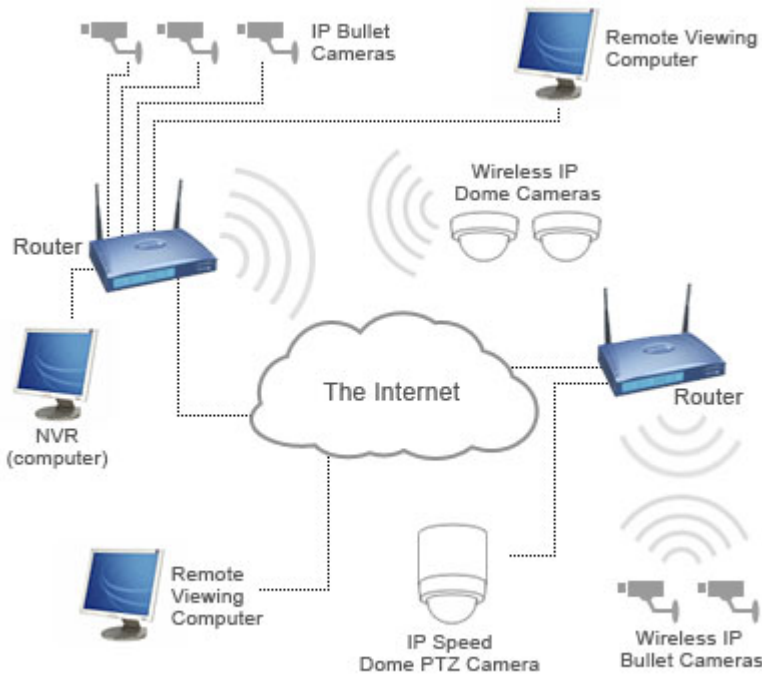
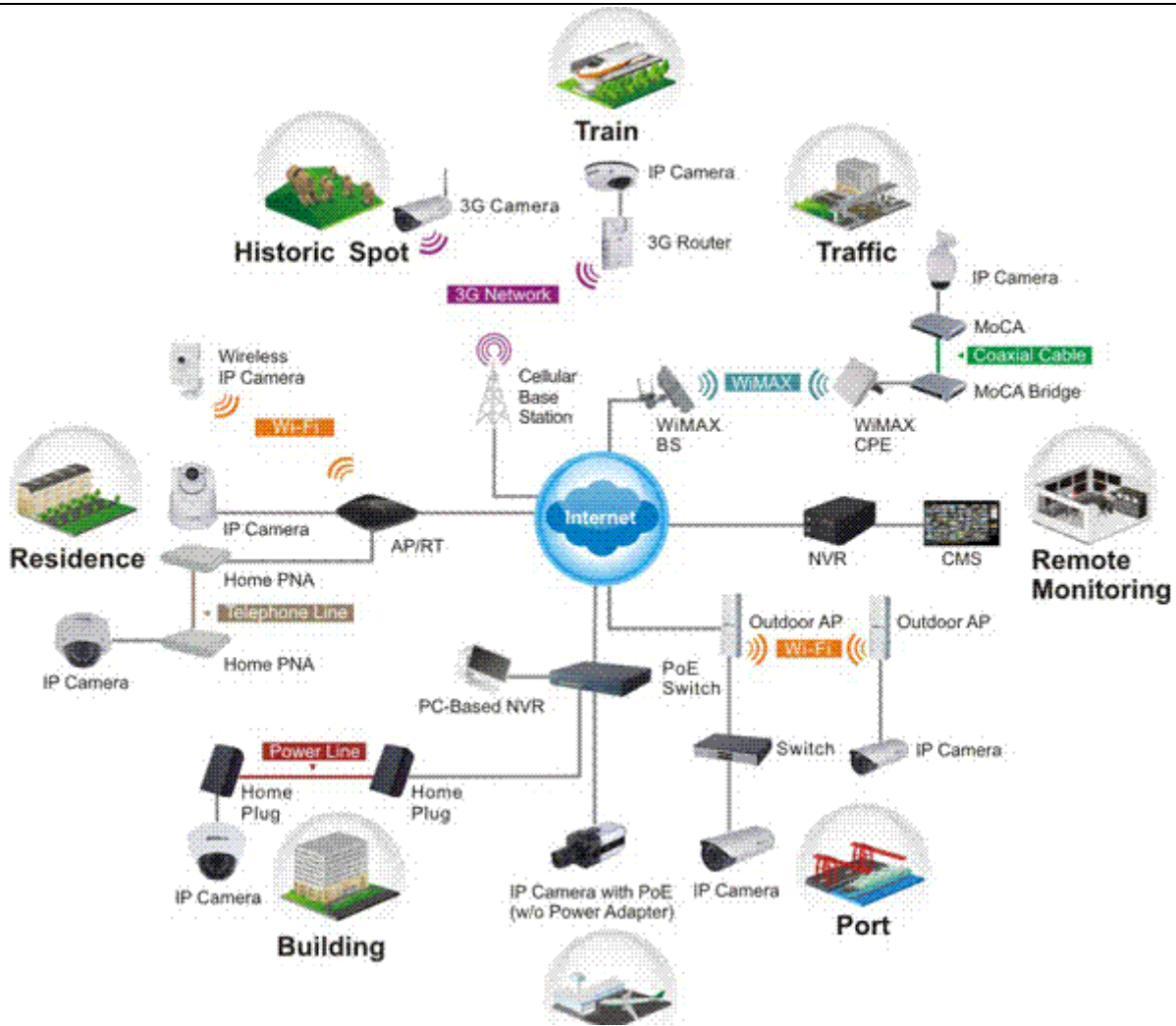
Single unit applications



- ✓ After it is setup and activated, the camera stores data on built-in SD card first-in-first-out basis. No maintenance is required.
- ✓ Ideal for single camera application. No central processing or data recording unit is required.
- ✓ Your most powerful and cost-effective choice for single camera application.

Multi-camera applications







>>| Specification

Model		IPC402B-MPC-WDRD /(-W)/(-POE)/(-IR)
Hardware		
Network chip	Lan	Realtek 10/100M BASE-TX Self-adapting
Sensor		1/3" Progressive Scan WDR CMOS
Effective Pixels		1280(H)×720(V)
Min. Illumination		Color Mode:0.05Lux @F1.2, B/W Mode:0Lux @(F1.2,IR ON)
S/N		≥50db(AGC OFF)
Day/night (-IR)		Dual IR-Cut filter
IR Parameters(-IR)		21 IR LEDs, IR distance 15m
WDR		≥100dB
Auto Electronic Shutter		Auto
Interfaces		
Optical lens	Interfaces	Φ14
	Lens	Manual zoom
	Focal Length	2.8-12mm
Audio Talkback		1 channel MIC input, External access, 3.5 mm audio interface
Audio Output		1 channel linear output, 3.5 mm audio interface
Storage Interface		Micro SDHC card supports video storage and image snapping; SD2.0 standard, maximum storage 32G
Network Interface	Lan	10/100M BASE-TX,RJ-45 connector
I/O		1-channel input, Normally Open/Normally Close modes adjustable; 1-channel output, 120VAC 1A/24VDC 1A,1 RS232 interface
Audio video encoding		

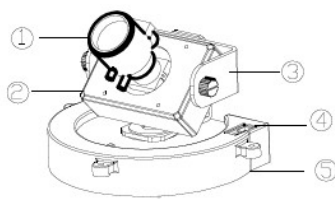
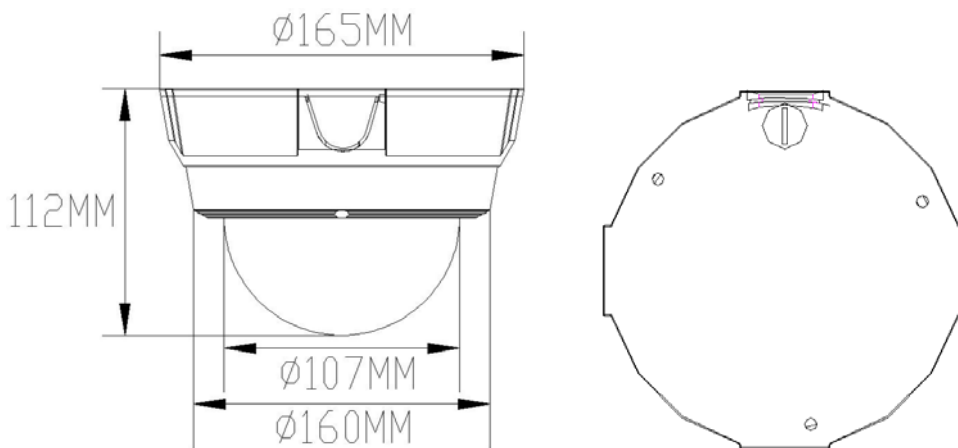
Video Compression		H.264 Main Profile; MJPEG/JPEG Baseline
Resolution	Master Streaming	(1280×720),1-25(30)fps/sec
	Second Streaming	640*480,1-25fps/sec
		320*240,1-25fps/sec 160*112,1-25fps/sec
Video Bitrate		32Kbps ~ 16Mbps,Supports CBR/VBR
Title OSD		Supports channel name, date, and video stream information overlay;OSD location is adjustable
Audio Compression		G.711, G.726,support 32 K stereo
Data transmission and storage		
Data storage		Video and Image
Recording		Recording set up to record by motion trigger, alarm trigger, manual, or schedule
Alarm Output		FTP,E-mail, Explorer, Software
Network protocol		TCP/IP,UDP,RTP,RTSP,RTCP,HTTP,DNS,DDNS,DHCP,FTP,NTP,PPPOE,SMTP,UPNP
Wireless protocols(-W)		802.11b/g,Supports WEP,WPA,WPA2("-w" model supports)
ONVIF protocol		Support
Remote View	Computer	Internet Explorer v6 or Later; Mozilla Firefox v1.5 or Later, or other Java-enabled Browsers, Chrome, Opera, Safari, max 10user
	Mobile Phone	Windows Mobile, Symbian, iPhone
General Parameters		
Vandal- proof capacity		1 ton impact
Operating Temperature		-10℃ - +55℃
Operating Humidity		0% - 90%
Power		DC12V/POE(IEEE 802.3af)(Optional)
Power Consumption		8W(MAX)
Dimension		112(H) * Φ165mm
Weight		1.5kg
Models		Marks
IPC402B-MPC-WDRD		
IPC402B-MPC-WDRD-IR		with IR
IPC402B-MPC-WDRD-POE		with POE
IPC402B-MPC-WDRD-W		With WiFi
IPC402B-MPC-WDRD-POE-IR		With POE, IR, ICR
IPC402B-MPC-WDRD-W-IR		With WiFi, IR, ICR

>>| Optional Accessories

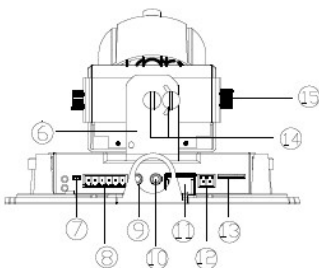


Notes:
We packed the units with free accessories; default packed depends on stock and the device's feature requirement. If you need specify the type, please inform us when you order.

>>| Dimension Drawing



- ① 2.8-12mm VARIFOCAL LENS
- ② SENSOR MODULE, VERTICAL ADJUSTING
- ③ U BRACKET FOR CLOCKWISE OR COUNTER CLOCKWISE ROTATION
- ④ VIDEO OUTPUT
- ⑤ PCBA BASE
- ⑥ L BRACKET FOR CLOCKWISE OR COUNTER CLOCKWISE ROTATION
- ⑦ RESET



- ⑧ ALARM IN/OUT, RS232
- ⑨ AUDIO OUT
- ⑩ AUDIO IN
- ⑪ RJ45
- ⑫ DC 12V INPUT
- ⑬ SD CARD SLOT
- ⑭ HOLDING SCREW FOR U BRACKET
- ⑮ HOLDING SCREW FOR VERTICAL ADJUSTING

>>| Installation Guide

E-Lins Technology Co., Limited
Add: 1007A, MinTai Bld., Minkang Road, Minzhi Street, Bao'an District, ShenZhen, 518000, China
Tel: +86-755-33231620 E-mail: sales@szelins.com www.szelins.com

