

## IPC402-MPC Series Dome IP Camera Specifications



### >>| Product Introduction

IPC402-MPC series Dome IP camera is based on IP network achieve network digital surveillance. It is full-color, day and night dual-use, outdoor economic integration network cameras with infrared lights, It is waterproof effective, not fogged mirror. The infrared radiation distance can be up to 12 meters. Advanced H.264 coding algorithm to ensure a clearer and more fluid video transmission effect. Built-in Web Server allows users to conveniently carry out remote control via Internet Explorer. Furthermore, central management software can be used for integrated surveillance and management of multiple network cameras, so it is very easy to build large video surveillance system.

The series are suitable for public security, banking, ports, schools, buildings, residential zone and other places. It is a good choice for digital HD video network surveillance.

### >>| Naming rules

**IPC402-MPC – X**

↓  
**Network type**

**WiFi:** Wireless WIFI network

**POE:** POE Power supply

**3G:** 3G WCDMA (HSDPA/HSUPA/HSPA+) or CDMA2000 EVDO

### >>| Key Features

- 1/3" Progressive Scan CMOS sensor.
- Support 1600\*1200(15fps), 1280\*960(25fps), 1280\*720(25fps) high definition.
- Support Color/BW mode converting (partial cameras support).
- Built-in 6/8/12mm fixed focus lens is optional.
- 18 infrared LED light, the distance up to 12 meters ("-IR" model supports).
- H.264/MJEG is optional, dual streaming, low bandwidth, and high quality.
- Support AWB, natural color, clear image.
- Build in 1 channel audio input and audio output ports, support real-time audio capture and two-way talking.

E-Lins Technology Co., Limited

Add: 1007A, MinTai Bld., Minkang Road, Minzhi Street, Bao'an District, ShenZhen, 518000, China

Tel: +86-755-33231620 E-mail: sales@szelins.com www.szelins.com

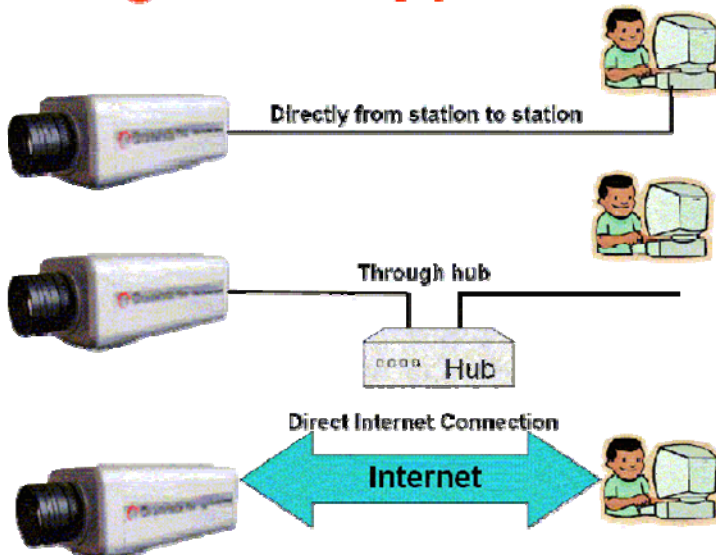
- Built-in SD card slot, support SDHC card.
- Built-in Wireless WiFi module ("-w" model supports).
- Support protocols: RTSP, RTP, HTTP, TCP/IP, UDP, SMTP, PPPoE, DDNS, DNS, SNTP, DHCP, FTP.
- Support 802.11b/g Wireless protocols, supports WEP, WPA, WPA2 ("-w" model supports).
- Alarm recording: video lost, motion detection and sensor alarm.
- Support privacy zone mask (max 4 individual mask zones).
- Built-in Web server enables the use of a standard Web browser for viewing and management.

## >>| Applications Scenarios

Restaurant, Hotel, Super market, Office, Corridor, Stairs, etc.

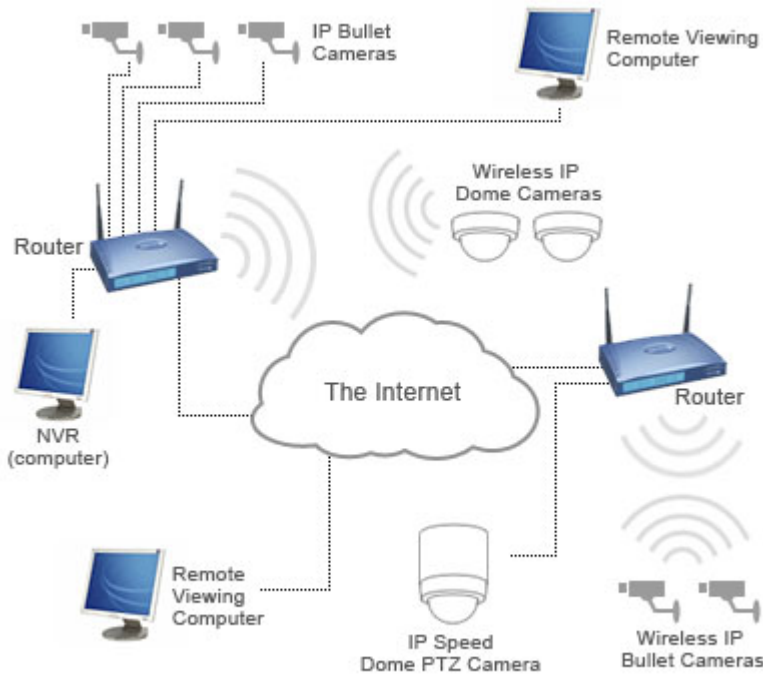
## >>| Typical Application Diagram

### Single unit applications



- ✓ After it is setup and activated, the camera stores data on built-in SD card first-in-first-out basis. No maintenance is required.
- ✓ Ideal for single camera application. No central processing or data recording unit is required.
- ✓ Your most powerful and cost-effective choice for single camera application.





## >>| Specification

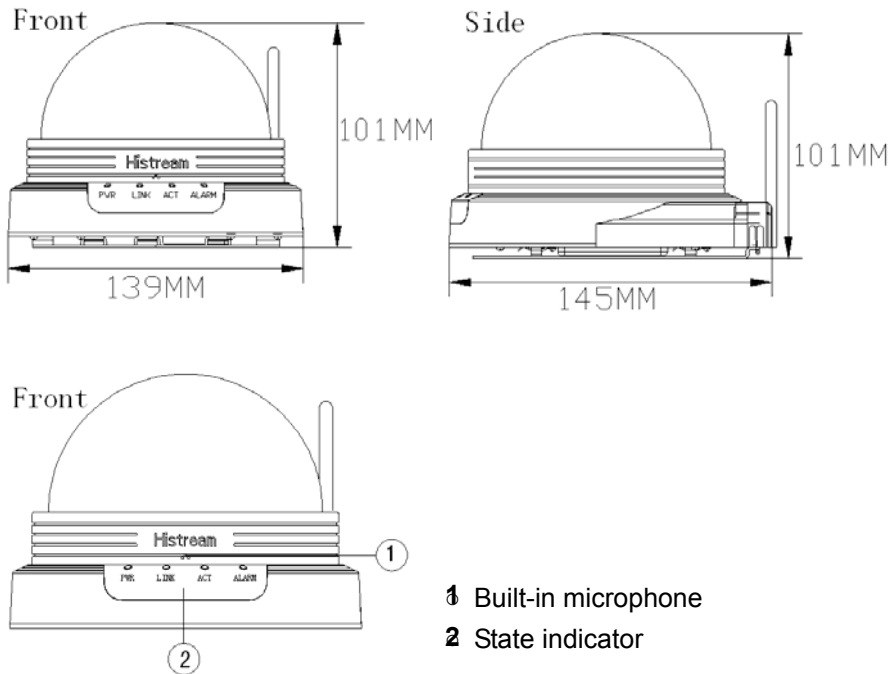
Model		IPC402-MPC series	IPC402-MPC-IR series
Type		HD IP Fixed Dome Camera	
CPU		ARM9,32 bit RISC	
SoC Chip		HISILICON Hi3512	
Network	LAN	Realtek 10/100M BASE-TX	
	WiFi	Ralink 2.4GHz 802.11b/g/n("w" model supports)	
Sensor Model		1/3" Progressive Scan CMOS sensor, 2.0M	
Effective Pixels		1600(H)×1200(V)	

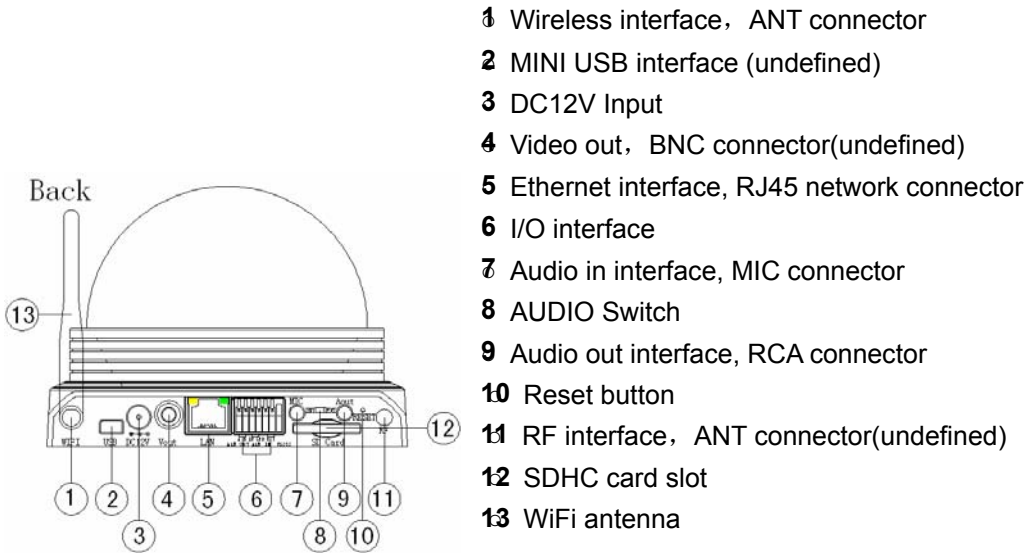
Min. Illumination	Color Mode:0.5Lux@F1.2	Color Mode: 0.5Lux@F1.2 B/W Mode: 0LUX(IR ON)
IR Parameters	18 IR LEDs, IR distance 12m("-IR" model supports)	
S/N	≥48db(AGC OFF, Weight On)	
Auto Electronic Shutter	1/50(1/60)—1/10000sec	
Optical lens	Interfaces	CS
	Lens	Fixed Iris
	Focal Length	6mm fixed iris lens, Optional 8mm/12mm
	Monitor distance	(6mm:5-10m;8mm:10-20m;12mm:20-30m)
Audio Talkback	1 channel MIC input, External access	
Audio Output	1 channel linear output	
Storage Interface	SDHC card supports video storage and image snapping; SD2.0 standard,maximum storage 32G	
Network Interface	LAN	10/100M BASE-TX,RJ-45 connector
	WiFi	ANT connector, antenna gain 2db,maximum wireless distance can be 100 meters ("-w" model supports)
I/O Interface	1-channel input, Normally Open/Normally Close modes adjustable; 1-channel output, 120VAC 1A/24VDC 1A,1 RS485 interface	
Video Compression	H.264 Main Profile, MJPEG/JPEG Baseline	
Resolution	Master Streaming	1600*1200,1-15fps/sec; 1280*960,1-25fps/sec; 1280*720,1-25fps/sec
	Second Streaming	640*352,1-25fps/sec; 320*176,1-25fps/sec; 160*120,1-25fps/sec
Video Bitrate	32Kbps~16Mbps,Supports CBR/VBR	
Title OSD	Supports channel name, date, and video stream information overlay; OSD location is adjustable	
Audio Compression	G.726,G.711	
Data storage	video and image	
Recording	Recording set up to record by motion trigger, alarm trigger, manual, or schedule	
Alarm Output	E-mail, Explorer, Software	
Network protocol	TCP/IP,UDP,RTP,RTSP,RTCP,HTTP,DNS,DDNS,DHCP,FTP,NTP,PPPOE,SMTP,UPNP	
Wireless protocols	Support 802.11b/g Wireless protocols, supports WEP,WPA,WPA2("-w" model supports)	
Remote View	Computer	Internet Explorer v6 or Later; Mozilla Firefox v1.5 or Later, or other Java-enabled Browsers, Chrome, Opera, Safari, max 10user
	Mobile Phone	Windows Mobile, Symbian, iPhone
Operating Temperature	-10℃ - +55℃	
Operating Humidity	0% - 90%	
Power	DC12V	
Power Consumption	7W(MAX)	
Dimension	139mm * 145mm * 101mm	

Weight	0.46KG
<b>Model</b>	<b>Marks</b>
IPC402-MPC	CMOS Mega pixels
IPC402-MPC-W	CMOS Mega pixels, WiFi
IPC402-MPC-3GE	CMOS Mega pixels, 3G CDMA2000 EVDO
IPC402-MPC-3GW	CMOS Mega pixels, 3G WCDMA (HSDPA/HSUPA/HSPA)

**Notes:**  
We packed the units with free accessories; default packed depends on stock and the device's feature requirement. If you need specify the type, please inform us when you order.

## >>| Dimensions And Interfaces





I/O definition:

1	1A: ALARM Output	4	GND: ALARM Input GND
2	1B: ALARM Output	5	R: RS232 control input +(undefined)
3	IN: ALARM Input	6	T: RS232 control input -(undefined)