

IPC401N-MPC-WDRD Series Outdoor Waterproof IR IP Camera Specifications



>>| Product Introduction

IPC401N-MPC-WDRD series based on IP network achieve network digital surveillance, transmit clear, smooth video surveillance images.

IPC401N-MPC-WDRD series use 1/3" Progressive Scan CMOS and advanced H.264 codec, Maximum resolution: 1280*720, excellent wide dynamic function, excellent low light performance. Supports dual streaming, Transmit high-quality H.264 video in the low-bandwidth network environment smooth, also supports MJPEG compression; Built-in fixed aperture zoom lens; support day/night auto converting; dual IR-Cut filter, even in low light environment or even black can output a clear picture. 4 IR LEDs, IR distance 50m. Support audio, alarm function, provide third-party systems integration interface.

This series of products using the waterproof design and removable shell, not only provides excellent waterproof and dustproof performance, but also easy installation and removal, suitable for indoor / outdoor environment.

The series of products are applicable for safe city, traffic, factories, finance, parks and other places. It is a good choice that upgrade from analog surveillance to network digital surveillance.

With video surveillance system software platform, can realize different network environments of large-scale network surveillance.

>>| Naming rules

IPC401N-MPC-WDRD: 720P CMOS WDR Waterproof IR Bullet IP Camera

IPC401N – MPC – WDRD - X

Network type

W: Wireless WIFI network

>>| Key Features

- ◆ Max resolution: 1080×720, output Real-time HD 720P image
- ◆ 1/3" Progressive Scan CMOS, capture motion images without jagged

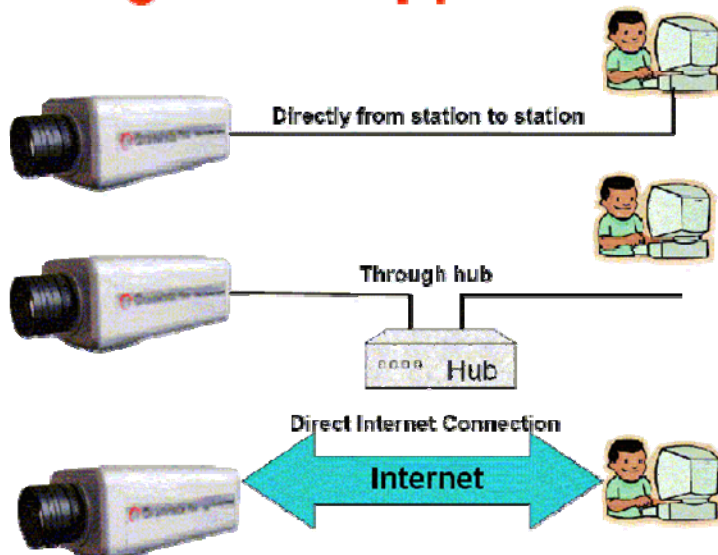
- ◆ WDR≥100dB
- ◆ Excellent low light performance, Min. Illumination: 0.05Lux@(F1.2)
- ◆ Support Color/BW mode converting (dual IR-Cut filter)
- ◆ Built-in fixed aperture zoom lens, Focal Length :5-15mm
- ◆ 4 IR LEDs, IR distance 50m
- ◆ H.264/MJEG is optional, dual streaming, low bandwidth, and high quality.
- ◆ Support two-way talking
- ◆ Support SDHC card storage; SD2.0 standard, maximum storage 32G
- ◆ Support 4 area privacy mask
- ◆ Support motion detection, network fault detection and alarm video, image snapping
- ◆ Built-in Web server enables the use of a standard Web browser for viewing and management.
- ◆ Support ONVIF protocol

>>| Applications Scenarios

Suitable for safe city, traffic, factories, finance, parks and other places.

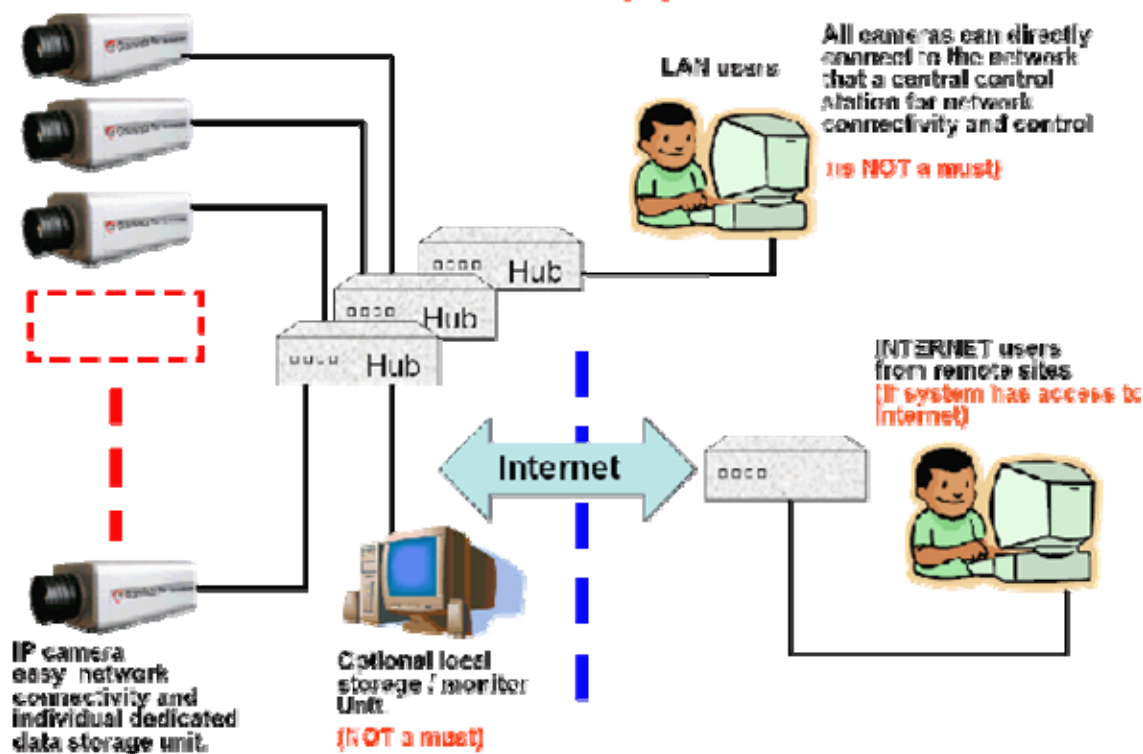
>>| Typical Application Diagram

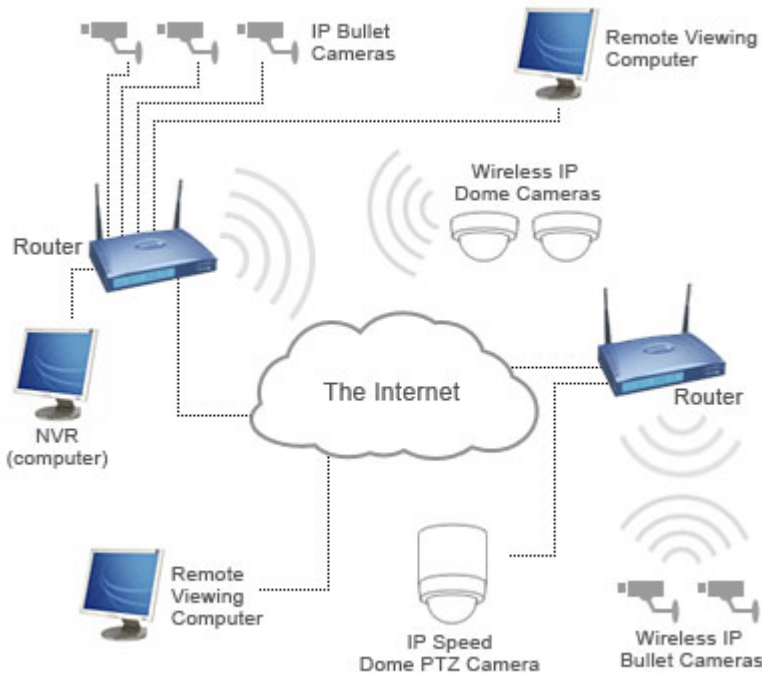
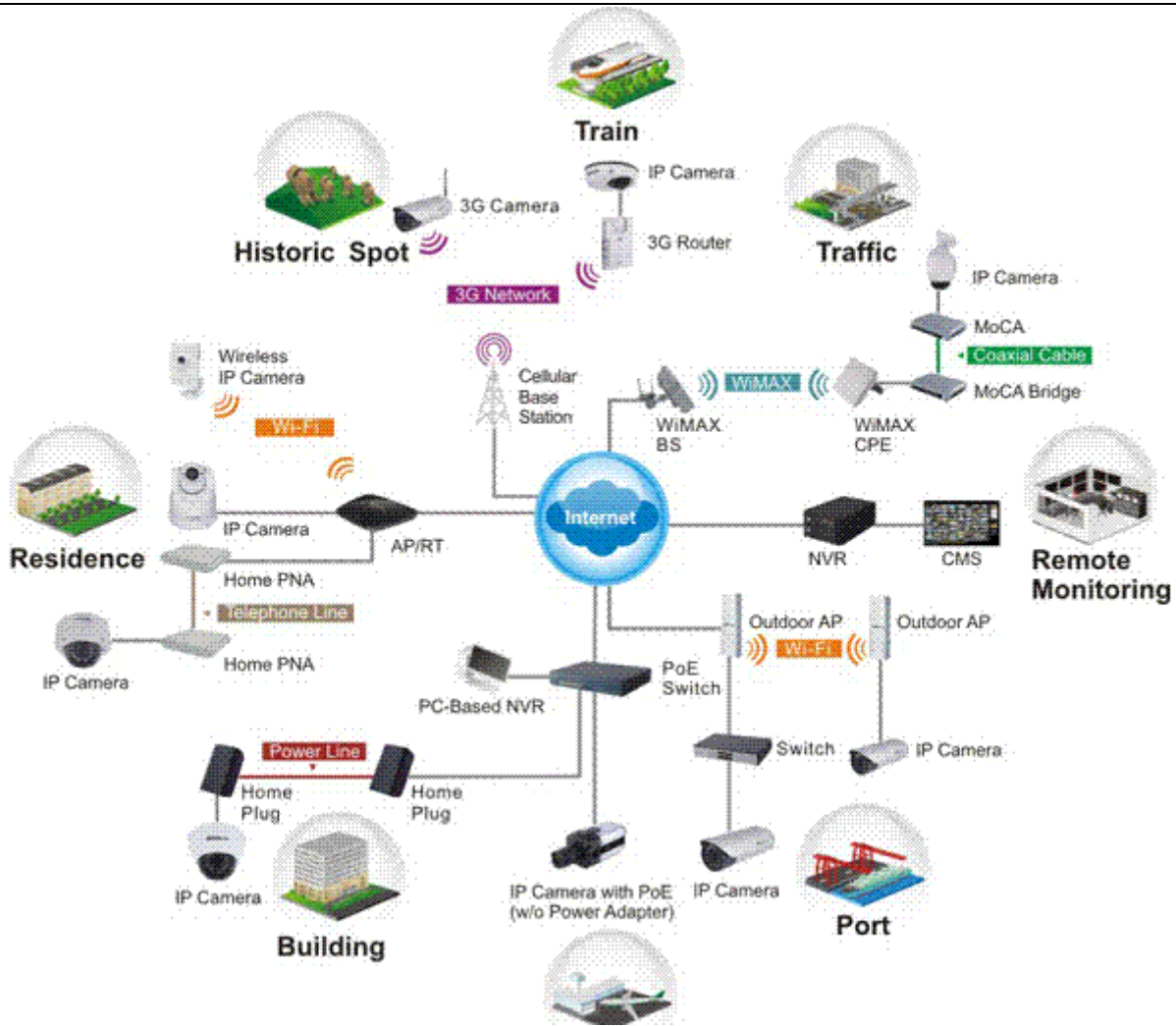
Single unit applications



- ✓ After it is setup and activated, the camera stores data on built-in SD card first-in-first-out basis. No maintenance is required.
- ✓ Ideal for single camera application. No central processing or data recording unit is required.
- ✓ Your most powerful and cost-effective choice for single camera application.

Multi-camera applications







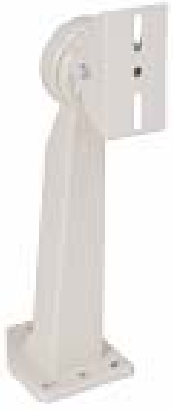
>>| Specification

Hardware		
Network chip	Lan	Realtek 10/100M BASE-TX Self-adapting
Sensor		1/3" Progressive Scan WDR CMOS
Effective Pixels		1280(H)×720(V)
Min. Illumination		Color Mode:0.05Lux @F1.2,B/W:0Lux(IR ON)
S/N		≥50db(AGC OFF)
Day/night		Auto, dual IR-Cut filter
IR Parameters		4 IR LEDs, IR distance 50m
WDR		≥100dB
Auto Electronic Shutter		Auto
Interfaces		
Optical lens	Interfaces	Φ14
	Lens	Auto Iris
	Focal Length	5-15mm Megapixels Lens, 8/12/16mm option
Audio Talkback		1 channel MIC input, External access, 3.5 mm audio interface
Audio Output		1 channel linear output, 3.5 mm audio interface
Storage Interface		SDHC card supports video storage and image snapping; SD2.0 standard,maximum storage 32G
Network Interface	Lan	10/100M BASE-TX,RJ-45 connector
I/O		1-channel input, Normally Open/Normally Close modes adjustable; 1-channel output, 120VAC 1A/24VDC 1A,1 RS485 interface
Audio video encoding		

Video Compression		H.264 Main Profile; MJPEG/JPEG Baseline
Resolution	Master Streaming	1280*720,1-25(30)fps/sec
	Second Streaming	640*480,1-25fps/sec
		320*240,1-25fps/sec 160*112,1-25fps/sec
Video Bitrates		32Kbps~16Mbps, Supports CBR/VBR
Title OSD		Supports channel name, date, and video stream information overlay; OSD location is adjustable
Audio Compression		G.711, G.726, support 32 K stereo
Data transmission and storage		
Data storage		Video and Image
Recording		Recording set up to record by motion trigger, alarm trigger, manual, or schedule
Alarm Output		FTP, E-mail, Explorer, Software
Network protocol		TCP/IP, UDP, RTP, RTSP, RTCP, HTTP, DNS, DDNS, DHCP, FTP, NTP, PPPOE, SMTP, UPNP
Wireless protocols(-W)		802.11b/g, Supports WEP, WPA, WPA2("-w" model supports)
ONVIF protocol		Support
Remote View	Computer	Internet Explorer v6 or Later; Mozilla Firefox v1.5 or Later, or other Java-enabled Browsers, Chrome, Opera, Safari, max 10user
	Mobile Phone	Windows Mobile, Symbian, iPhone
General Parameters		
Operating Temperature		-10°C - +55°C
Operating Humidity		0% - 90%
Power		DC12V
Power Consumption		15W(MAX)
Dimension		257(L) *122(W)*120(H)mm
Weight		1.8KG
Model		Marks
IPC401N-MPC-WDRD		WDR CMOS Mega Pixels, IR, ICR
IPC401N-MPC-WDRD-W		WDR CMOS Mega Pixels, IR, ICR, WiFi
IPC401N-MPC-WDRD-L		WDR CMOS Mega Pixels, IR, ICR, LENS: 8/12/16mm

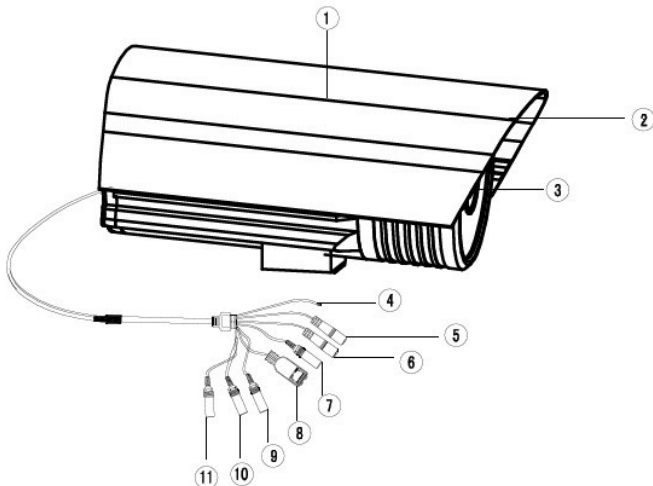
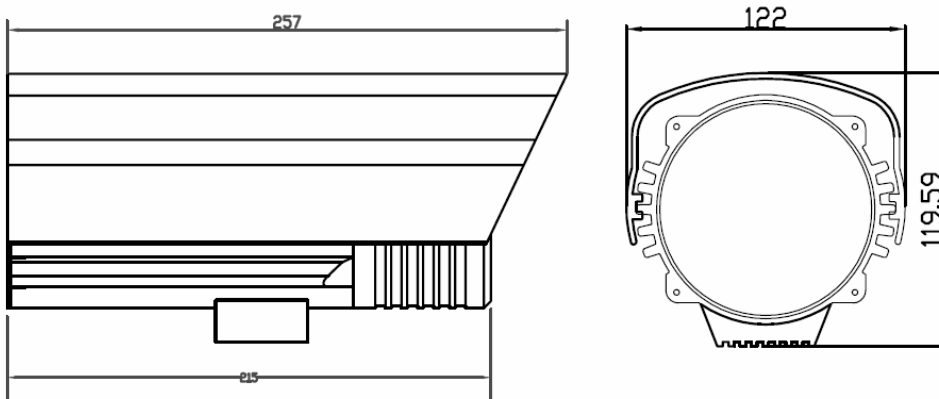
>>| Optional Accessories

Bracket



Notes:
We packed the units with free accessories; default packed depends on stock and the device's feature requirement. If you need specify the type, please inform us when you order.

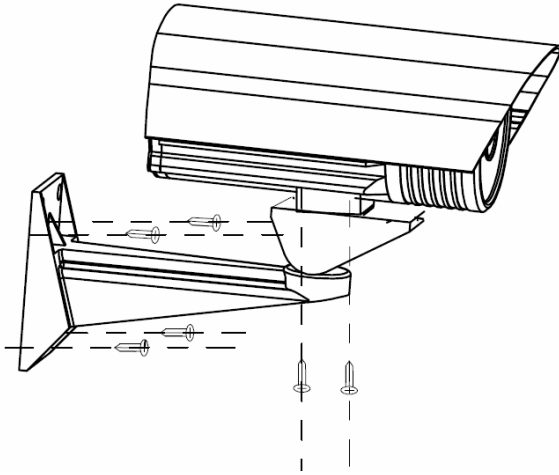
>>| Dimension & Drawing



- ① SCREW HOLE*2
- ② SUNSHADE
- ③ FRONT COVER
- ④ RESET
- ⑤ ALARM OUTA+/ALARM OUTB-
- ⑥ ALARM IN+/GND-
- ⑦ RS485+/RS485-
- ⑧ RJ45
- ⑨ AUDIO IN
- ⑩ AUDIO OUT
- ⑪ DC 12V INPUT

>>| Installation Guide

Bracket Installation



Lens adjustment

