

IPC401N-MPC-TD Series Waterproof IR Bullet IP Camera Specifications



>>| Product Introduction

IPC401N-MPC-TD series based on IP network, achieve network digital surveillance, transmit clear, smooth video surveillance images.

IPC401N-MPC-TD series uses 1/3" Progressive Scan CMOS and advanced H.264 codec, Effective Pixels: 1920*1080, excellent low light performance. Use 3D smart noise reduction function, in the low-light environment, reduce noise, ensure the edge of the moving object clear. Supports dual streaming, Transmit high-quality H.264 video in the low-bandwidth network environment smooth , also supports MJPEG compression; Built-in fixed aperture zoom lens; support day/night auto converting; dual IR-Cut filter, even in low light environment or even black can output a clear picture. 4 IR LEDs, IR distance 50m.Support audio, alarm function, provide third-party systems integration interface.

This series of products using the waterproof design and removable shell, not only provides excellent waterproof and dustproof performance, but also easy installation and removal, suitable for indoor / outdoor environment. The series of products applicable for safe city, traffic, factories, finance, parks and other places. It is a good choice that upgrade from analog surveillance to network digital surveillance With video surveillance system software platform, can realize different network environments of large-scale network surveillance.

>>| Naming rules

IPC401N-MPC-TD: 1080P CMOS low light Waterproof IR Bullet IP Camera

IPC401N – MPC - TD – X

Network type

W: Wireless WIFI network

>>| Key Features

- ◆ Max resolution:1920×1080, output Real-time Full HD 1080P image
- ◆ 1/3" Progressive Scan CMOS, Capture motion images without jagged
- ◆ Excellent low light performance, Min. Illumination: 0.001Lux@(F1.2)
- ◆ 3D smart noise reduction function
- ◆ Support Color/BW mode converting (dual IR-Cut filter)

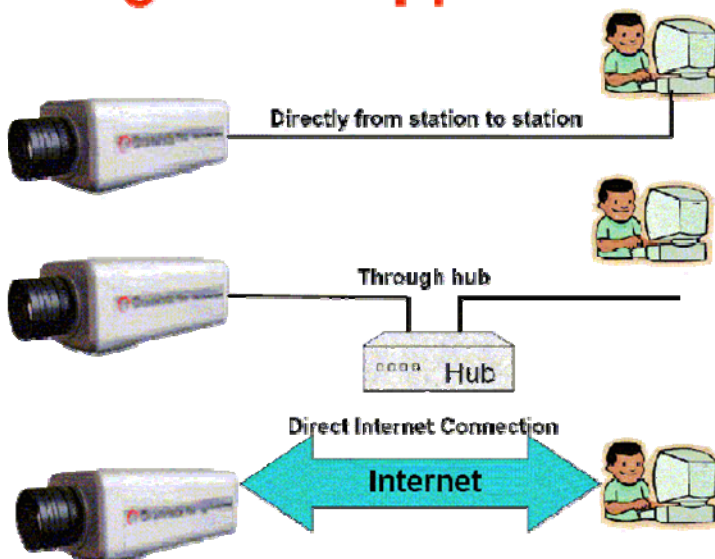
- ◆ Built-in fixed aperture zoom lens, Focal Length: 2.8-12mm
- ◆ 4 IR LEDs, IR distance 50m
- ◆ H.264/MJPEG is optional, dual streaming, low bandwidth, and high quality.
- ◆ Support two-way talking
- ◆ Support Micro SDHC card storage, SD2.0 standard, maximum storage 32G
- ◆ Support 4 areas privacy mask
- ◆ Support motion detection, network fault detection and alarm video, image snapping
- ◆ Built-in Web server enables the use of a standard Web browser for viewing and management.
- ◆ Support ONVIF protocol

>>| Applications Scenarios

Suitable for safe city, traffic, factories, finance, parks and other places.

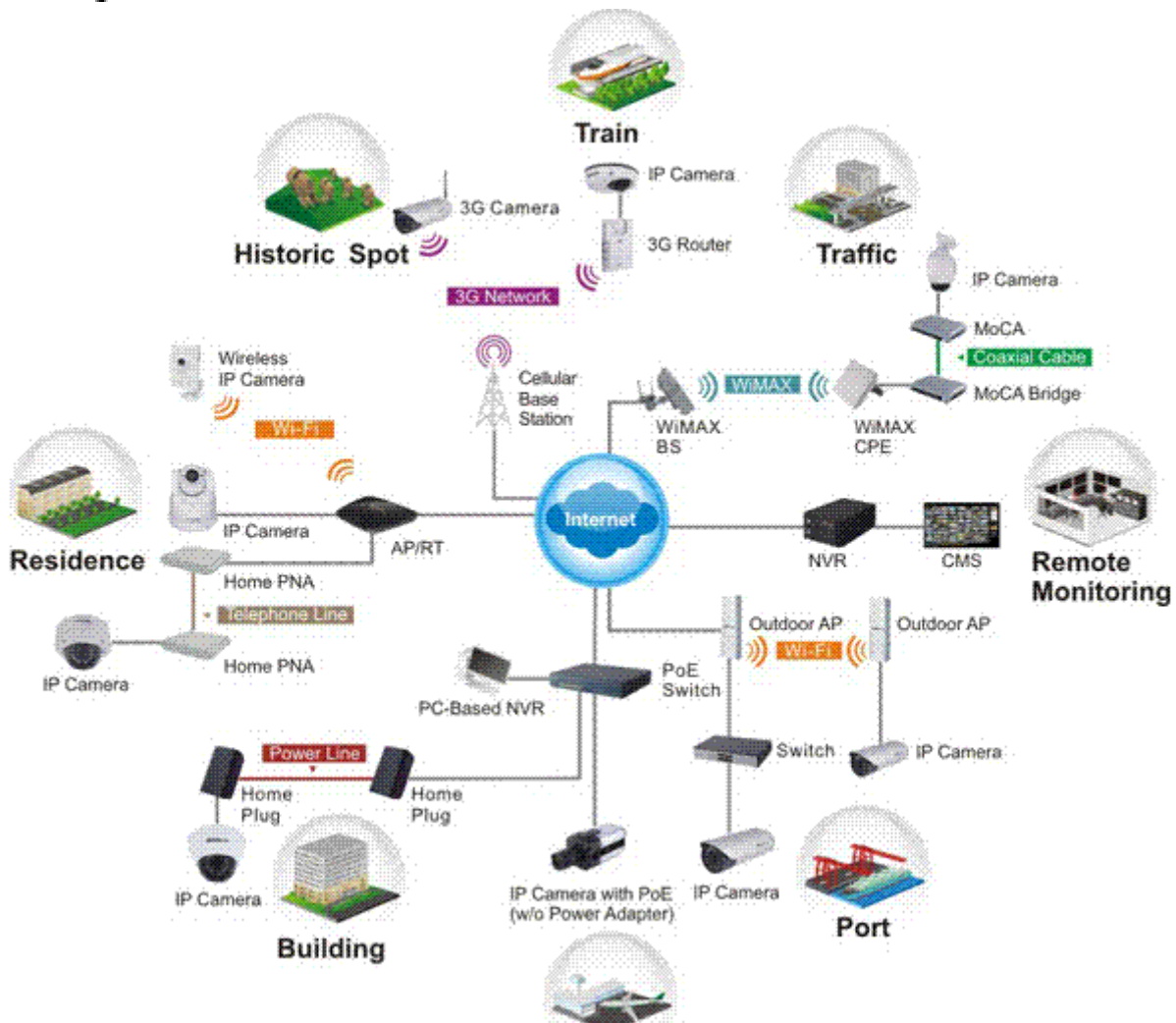
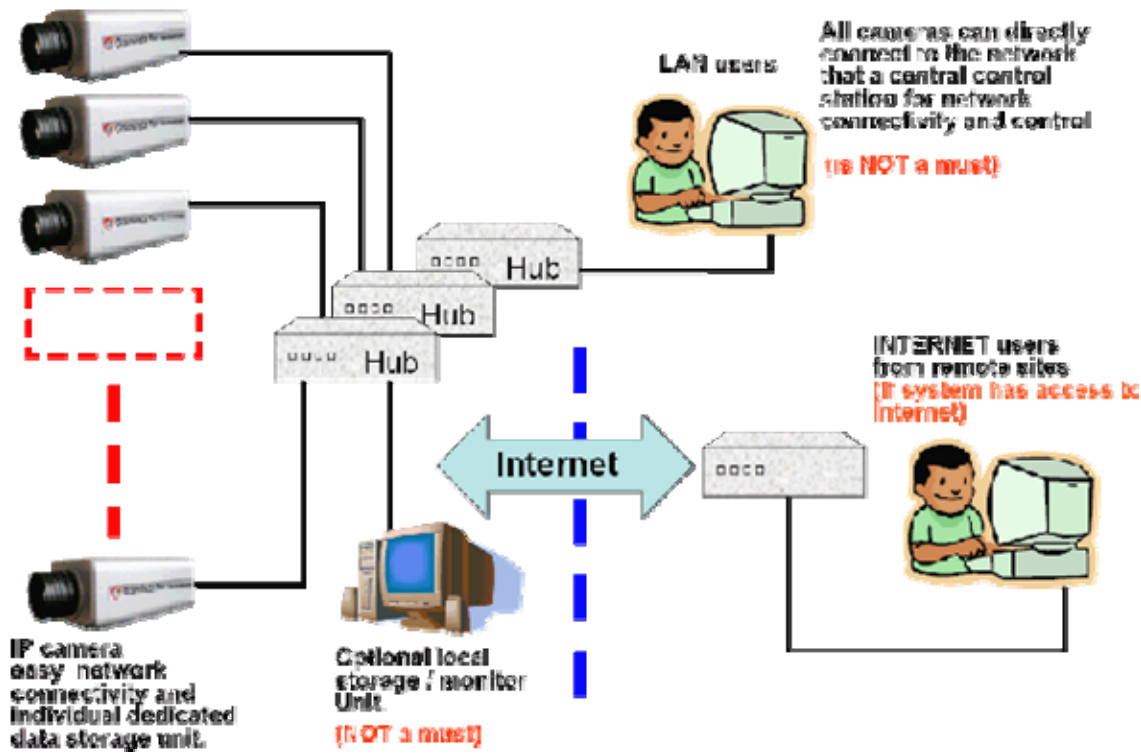
>>| Typical Application Diagram

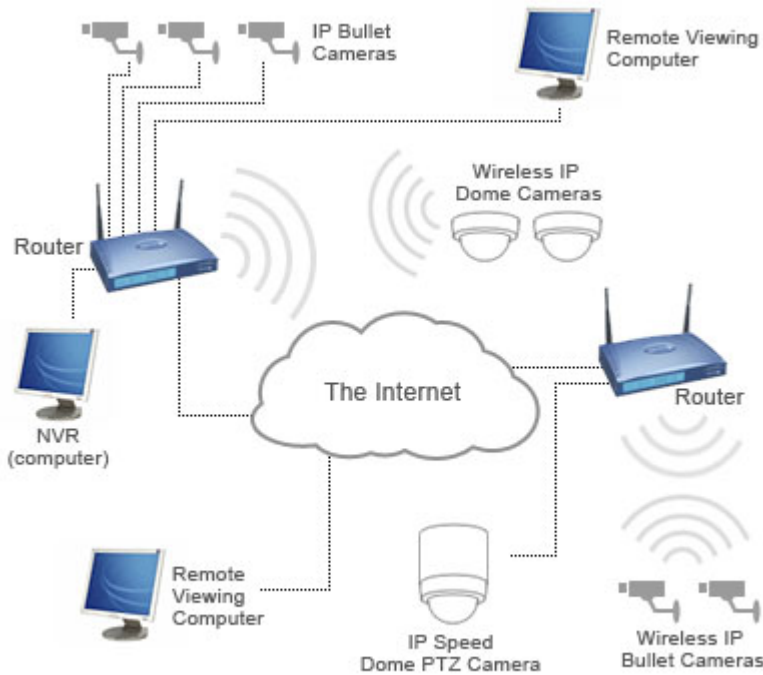
Single unit applications



- ✓ After it is setup and activated, the camera stores data on built-in SD card first-in-first-out basis. No maintenance is required.
- ✓ Ideal for single camera application. No central processing or data recording unit is required.
- ✓ Your most powerful and cost-effective choice for single camera application.

Multi-camera applications





>>| Specification

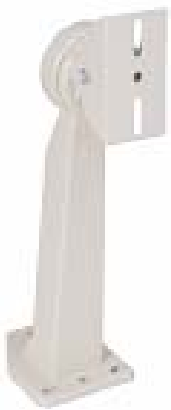
Hardware		
Network chip	Lan	Realtek 10/100M BASE-TX Self-adapting
Sensor		1/3" Progressive Scan CMOS
Effective Pixels		1920(H)×1080(V)
Min. Illumination		Color Mode:0.1Lux@F1.2 B/W Mode:0Lux@(F1.2 IR ON)
S/N		≥50db(AGC OFF)

Day/night	Auto, with ICR	
IR Parameters	4 IR LEDs, IR distance 50m	
Auto Electronic Shutter	1/25—1/100000sec, Slow shutter: 1/2, 1/4, 1/8, 1/12	
Interfaces		
Optical lens	Interfaces	Φ14
	Lens	Fixed Iris
	Focal Length	5-15mm
Audio Talkback	1 channel MIC input, External access, 3.5 mm audio interface	
Audio Output	1 channel linear output, 3.5 mm audio interface	
Storage Interface	Micro SDHC card supports video storage and image snapping; SD2.0 standard, maximum storage 32G	
Network Interface	Lan	10/100M BASE-TX, RJ-45 connector
I/O	1-channel input, Normally Open/Normally Close modes adjustable; 1-channel output, 120VAC 1A/24VDC 1A, 1 RS485 interface	
Audio video encoding		
Video Compression	H.264 Main Profile; MJPEG/JPEG Baseline	
Resolution	Master Streaming	1920*1080, 1-25(30)fps/sec 1280*960, 1-25(30)fps/sec 1280*720, 1-25(30)fps/sec
	Second Streaming	640*480, 1-25fps/sec 320*240, 1-25fps/sec 160*112, 1-25fps/sec
Video Bitrates	32Kbps~16Mbps, Supports CBR/VBR	
Title OSD	Supports channel name, date, and video stream information overlay; OSD location is adjustable	
Audio Compression	G.711, G.726, support 32 K stereo	
Data transmission and storage		
Data storage	Video and Image	
Recording	Recording set up to record by motion trigger, alarm trigger, manual, or schedule	
Alarm Output	FTP, E-mail, Explorer, Software	
Network protocol	TCP/IP, UDP, RTP, RTSP, RTCP, HTTP, DNS, DDNS, DHCP, FTP, NTP, PPPOE, SMTP, UPNP	
Wireless protocols(-W)	802.11b/g, Supports WEP, WPA, WPA2("-w" model supports)	
ONVIF protocol	Support	
Remote View	Computer	Internet Explorer v6 or Later; Mozilla Firefox v1.5 or Later, or other Java-enabled Browsers, Chrome, Opera, Safari, max 10user
	Mobile Phone	Windows Mobile, Symbian, iPhone
General Parameters		
Operating Temperature	-10°C - +55°C	

Operating Humidity	0% - 90%
Power	DC12V
Power Consumption	15W(MAX)
Dimension	257(L) *122(W)*120(H)mm
Weight	1.8KG
Model	Marks
IPC401N-MPC-TD	CMOS 2 Mega Pixels, IR, ICR, LENS: 5-15mm
IPC401N-MPC-TD-L	CMOS 2 Mega Pixels, IR, ICR, LENS: 8/12/16mm

>>| Optional Accessories

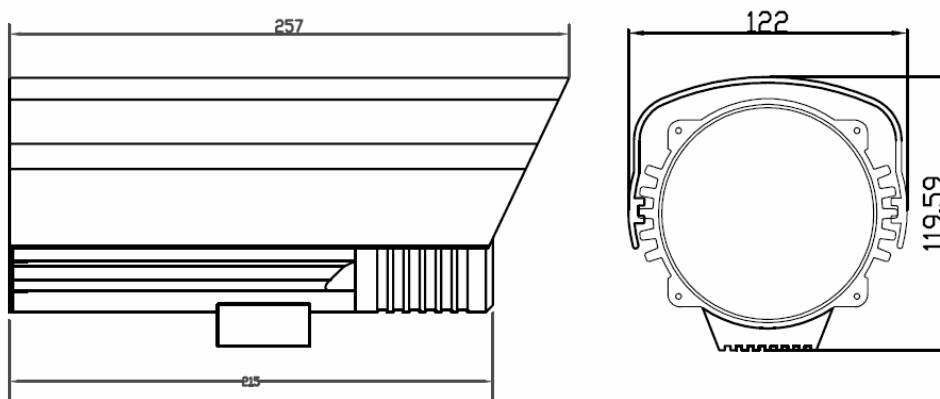
Bracket

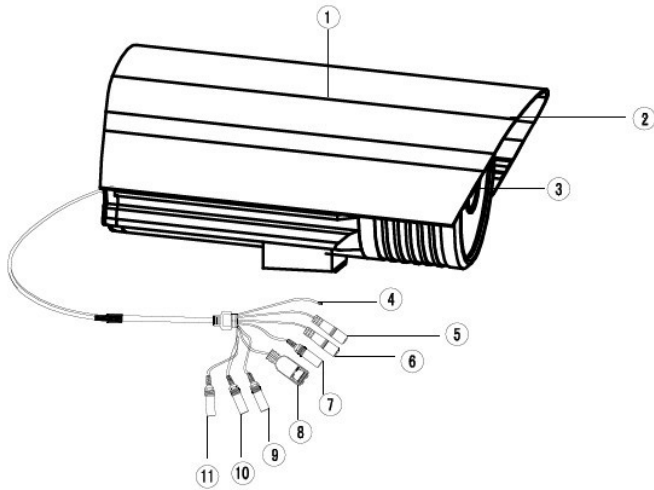


Notes:

We packed the units with free accessories; default packed depends on stock and the device's feature requirement. If you need specify the type, please inform us when you order.

>>| Dimension & Drawing

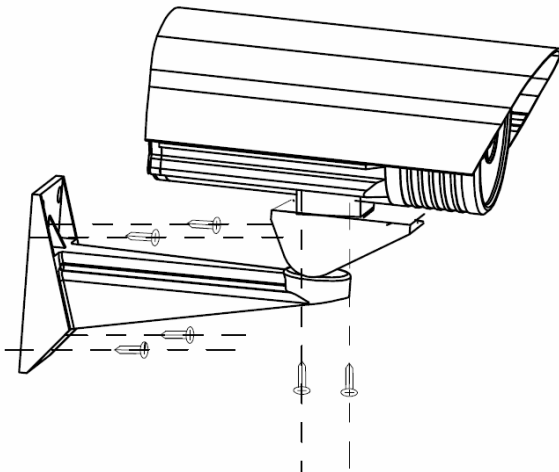




- ① SCREW HOLE*2
- ② SUNSHADE
- ③ FRONT COVER
- ④ RESET
- ⑤ ALARM OUTA+/ALARM OUTB-
- ⑥ ALARM IN+/GND-
- ⑦ RS485+/RS485-
- ⑧ RJ45
- ⑨ AUDIO IN
- ⑩ AUDIO OUT
- ⑪ DC 12V INPUT

>>| Installation Guide

Bracket Installation



Lens adjustment

