

## IPC401B Series Outdoor IR IP Camera Specifications



### >>| Product Introduction

IPC401B is based on IP network, achieve network digital surveillance, and transmit clear, smooth video surveillance images.

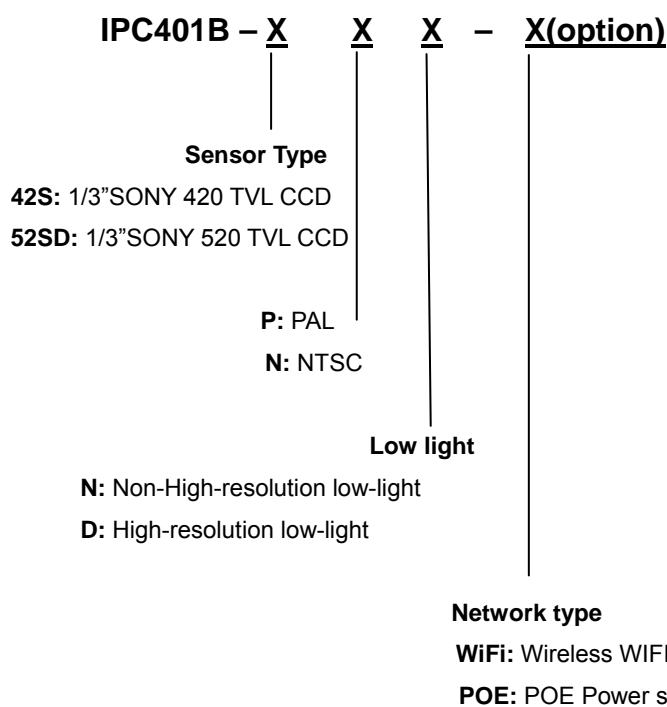
IPC401B Series uses 1/3" SUPER HAD CCD and advanced H.264 codec, Maximum resolution :704\*576, Supports dual streaming, Transmit high-quality H.264 video in the low-bandwidth network environment smooth , also supports MJPEG compression; Built-in fixed aperture zoom lens; support day/night auto converting; dual IR-Cut filter, Support audio, alarm function, provide third-party systems integration interface.

This series of products using the waterproof design and removable shell not only provides excellent waterproof and dustproof performance, but also easy installation and removal, suitable for indoor / outdoor environment.

The series of products applicable for corridor. warehouse. residential zone. underground parking. Supermarkets. bars and other low light or total darkness environment. It is a good choice that upgrade from analog surveillance to network digital surveillance.

With video surveillance system software platform, can realize different network environments of large-scale network surveillance.

### >>| Naming rules



E-Lins Technology Co., Limited

Add: 1007A, MinTai Bld., Minkang Road, Minzhi Street, Bao'an District, ShenZhen, 518000, China

Tel: +86-755-33231620 E-mail: sales@szelins.com www.szelins.com

3G: 3G WCDMA (HSDPA/HSUPA/HSPA+) or CDMA2000 EVDO

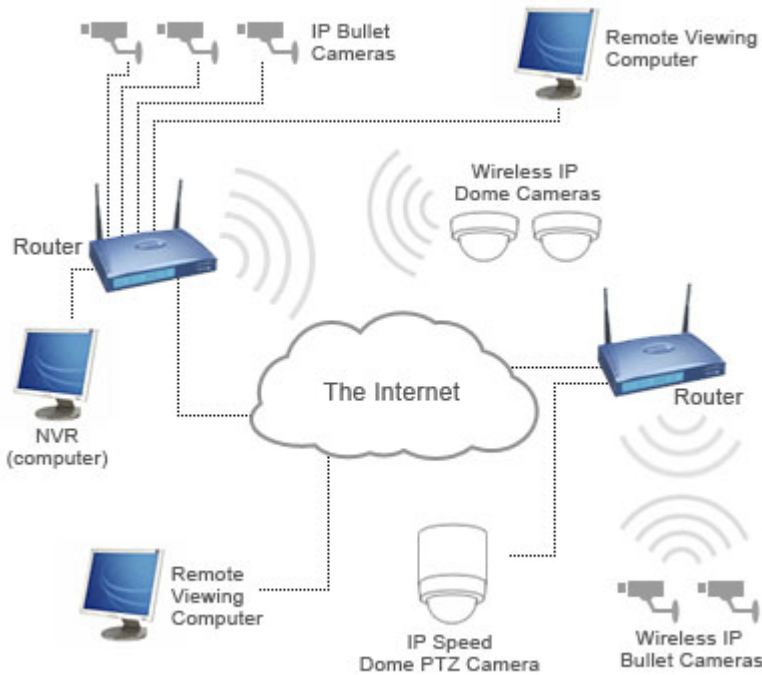
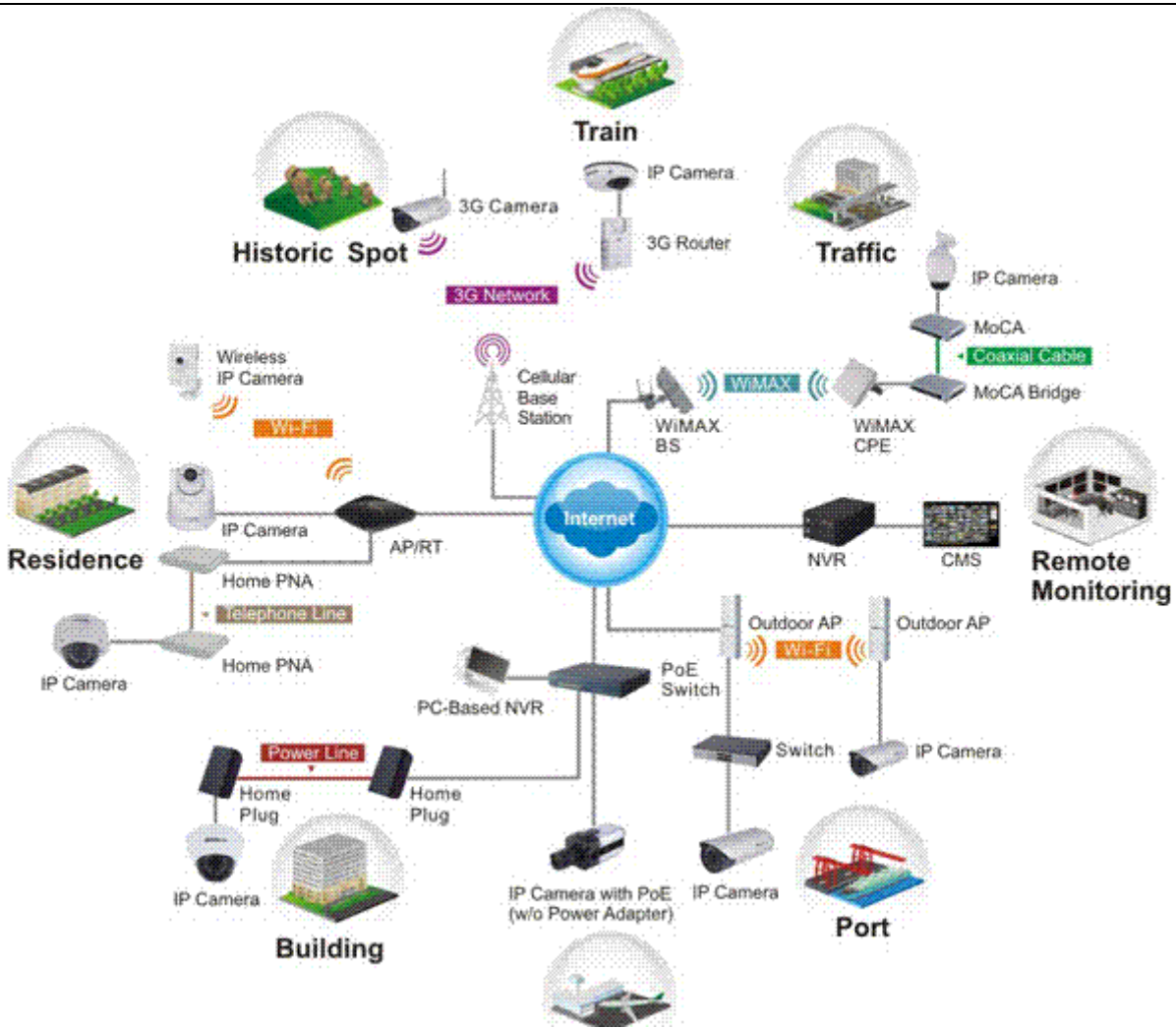
## >>| Key Features

- ◆ 1/3" SUPER-HAD CCD
- ◆ Max resolution:704\*576
- ◆ Support Color/BW mode converting
- ◆ Built-in fixed aperture zoom lens, Focal Length:2.8-12mm
- ◆ 42 IR LEDs, IR distance 30m
- ◆ H.264/MJEG is optional, dual streaming, low bandwidth, and high quality.
- ◆ Support two-way talking
- ◆ Support Micro SDHC card storage;SD2.0 standard, maximum storage 32G
- ◆ Support 4 areas privacy mask
- ◆ Support motion detection, network fault detection and alarm video, image snapping
- ◆ Built-in Web server enables the use of a standard Web browser for viewing and management.
- ◆ Support ONVIF protocol

## >>| Applications Scenarios

Suitable for corridor, warehouse, residential zone, underground parking, supermarkets, bars and other low light or total darkness environment, etc.

## >>| Typical Application Diagram





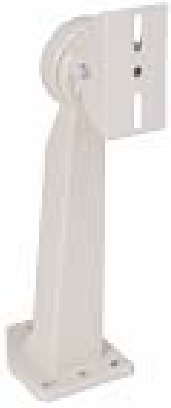
## >>| Specification

Model		IPC402B-42S(N)	IPC402B-52S(N)
<b>Hardware</b>			
Network chip	Lan	Realtek 10/100M BASE-TX Self-adapting	
Sensor		1/3"SONY SUPER HAD CCD	
Effective Pixels		PAL:500(H)×582(V) NTSC:510(H)×492(V)	PAL:752(H)×582(V) NTSC:768(H)×494(V)
Min. Illumination		0.1Lux(color)@F1.2	0.01Lux(B/W)@F1.2
S/N		≥50dbAGC OFF	
Day/night		Auto	
IR Parameters		42 IR LEDs, IR distance 30m	
Electronic Shutter		Auto	
<b>Interfaces</b>			
Optical lens	Interfaces	M12*0.5	
	Lens	Fixed Iris	
	Focal Length	2.8-12mm	
Audio Talkback		1 channel MIC input, External access, 3.5 mm audio interface	
Audio Output		1 channel linear output, 3.5 mm audio interface	
Storage Interface		Micro SD card supports video storage and image snapping; SD2.0 standard, maximum storage 32G(Optional)	
Network Interface	Lan	10/100M BASE-TX,RJ-45 connector	
I/O		1-channel input, Normally Open/Normally Close modes adjustable; 1-channel output, 120VAC 1A/24VDC 1A,1 RS485 interface	

Audio video encoding		
Video Compression		H.264 Main Profile; MJPEG/JPEG Baseline
Resolution	Master/Second Streaming	D1:704*576(PAL),1-25 fps/sec;704*480(N),1-30 fps/sec Half-D1:704*288(PAL),1-25 fps/sec;704*240(N),1-30 fps/sec CIF:352*288(PAL),1-25 fps/sec;352*240(N),1-30 fps/sec QCIF:176*144(PAL),1-25 fps/sec;176*120(N),1-30 fps/sec
Video Bitrates		32Kbps~16Mbps,Supports CBR/VBR
Title OSD		Supports channel name, date, and video stream information overlay; OSD location is adjustable
Audio Compression		G.711,G.726,support 32 K stereo
Data transmission and storage		
Data storage		Video and Image
Recording		Recording set up to record by motion trigger, alarm trigger, manual, or schedule
Alarm Output		FTP,E-mail, Explorer, Software
Wireless protocols (-W)		802.11b/g.Supports WEP,WPA,WPA2("-w" model supports)
Network protocol		TCP/IP.UDP.RTP.RTSP.RTCP.HTTP.DNS.DDNS.DHCP.FTP.NTP.PPPOE.SMTP.UPNP
ONVIF protocol		Support
Remote View	Computer	Internet Explorer v6 or Later; Mozilla Firefox v1.5 or Later, or other Java-enabled Browsers, Chrome, Opera, Safari, max 10user
	Mobile Phone	Windows Mobile. Symbian. iPhone
General Parameters		
Operating Temperature		-10℃ - +55℃
Operating Humidity		0% - 90%
Power		DC12V
Power Consumption		7W(MAX)
Dimension		165(L) * 83.2*Φ74.1(OD)mm
Weight		0.6KG
Model	Marks	Option
IPC401B-42SD	1/3"SONY 420 TVL CCD	
IPC401B-52SD	1/3"SONY 520 TVL CCD, High-resolution low-light	
Optional Accessories		
Lens	8mm	Best for 12~20 meters
Lens	12mm	Best for 20~30 meters

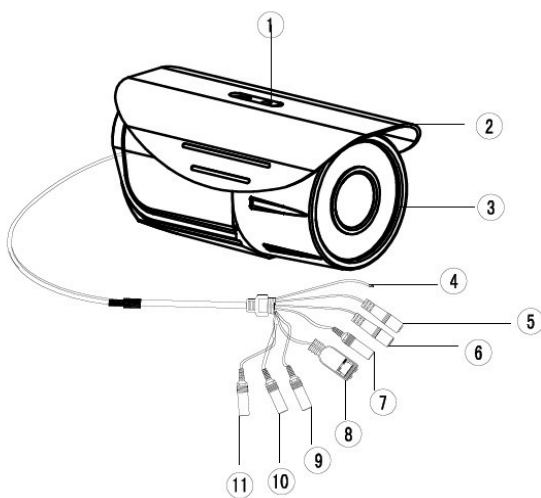
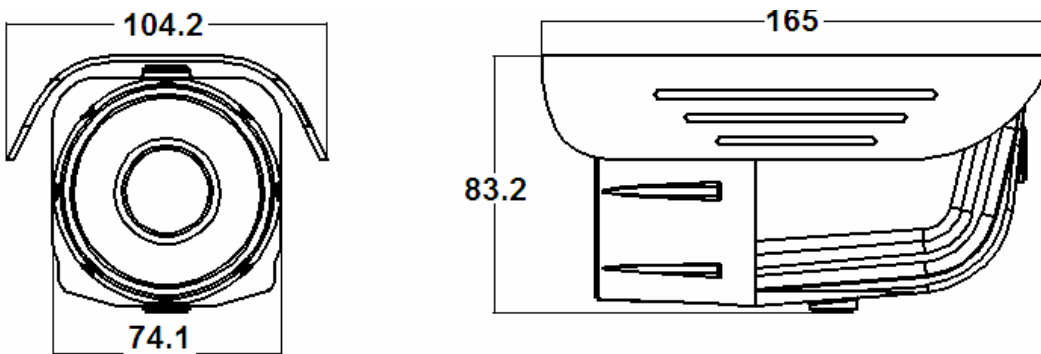
## >>| Optional Accessories

### Bracket



**Notes:**  
We packed the units with free accessories; default packed depends on stock and the device's feature requirement. If you need specify the type, please inform us when you order.

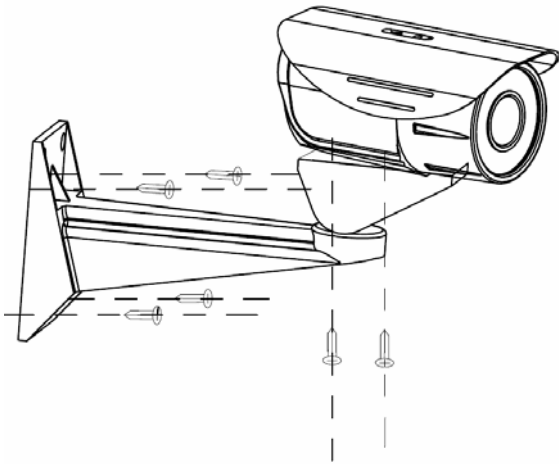
## >>| Dimension Drawing



- ① SCREW HOLE\*2
- ② SUNSHADE
- ③ FRONT COVER
- ④ RESET
- ⑤ ALARM OUTA+/ALARM OUTB-
- ⑥ ALARM IN+/GND-
- ⑦ RS485+/RS485-
- ⑧ RJ45
- ⑨ AUDIO IN
- ⑩ AUDIO OUT
- ⑪ DC 12V INPUT

## >>| Installation Guide

Installation Bracket:



Lens adjustment:

