

IPC401BMPC-TD Series Small Waterproof IR IP Camera Specifications



>>| Product Introduction

IPC401BMPC-TD series based on IP network to achieve network digital surveillance transmit clear, smooth video surveillance images.

IPC401BMPC-TD Series use 1/3" Progressive Scan CMOS and advanced H.264 codec, Maximum resolution: 1920*1080, excellent low light performance. Use 3D smart noise reduction function, In the low-light environment, reduce noise, ensure the edge of the moving object clear. Supports dual streaming, Transmit high-quality H.264 video in the low-band width network environment smooth, also supports MJPEG compression; Built-in fixed aperture zoom lens; support day/night auto converting; dual IR-Cut filter, even in low light environment or even black can output a clear picture. 4 IR LEDs, IR distance 50m. Support audio, alarm function, provide third-party systems integration interface.

This series of products using the waterproof design and removable shell, not only provides excellent waterproof and dustproof performance, but also easy installation and removal, suitable for indoor/outdoor environment. The series of products applicable for corridor, warehouse, residential zone, underground parking, supermarkets, bars and other low light or total darkness environment, It is a good choice that upgrade from analog surveillance to network digital surveillance.

With video surveillance system software platform, can realize different network environments of large-scale network surveillance.

>>| Naming rules

IPC401BMPC-TD: 1080P 2.0M CMOS low light, Small Waterproof IR Bullet IP Camera

IPC401BMPC -TD - X

Network type

Empty: Non-wireless WIFI network

W: Wireless WIFI network

>>| Key Features

- ◆ Max resolution:1920×1080, output Real-time Full HD 1080P image

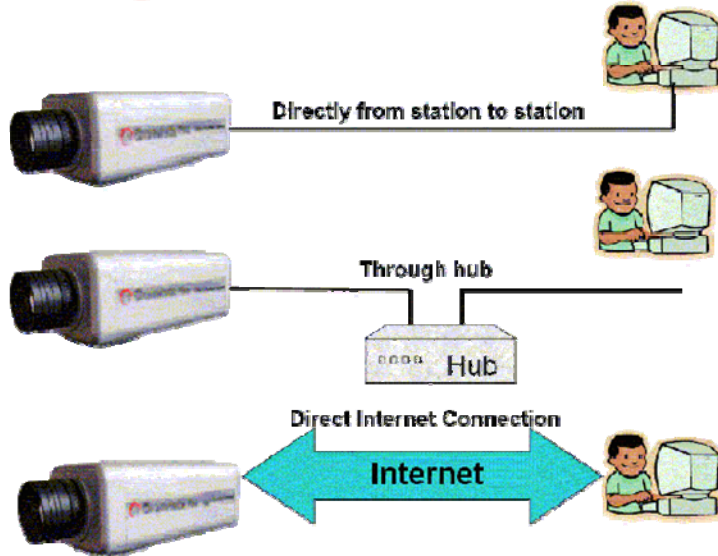
- ◆ 1/3" Progressive Scan CMOS, Capture motion images without jagged
- ◆ Excellent low light performance
- ◆ 3D smart noise reduction function
- ◆ Support Color/BW mode converting (dual IR-Cut filter)
- ◆ Built-in fixed aperture zoom lens, Focal Length :2.8-12mm
- ◆ 42 IR LEDs, IR distance 30m
- ◆ H.264/MJEG is optional, dual streaming, low bandwidth, and high quality.
- ◆ Support two-way talking
- ◆ Support Micro SDHC card storage;SD2.0 standard, maximum storage 32G
- ◆ Support 4 areas privacy mask
- ◆ Support motion detection, network fault detection and alarm video, image snapping
- ◆ Built-in Web server enables the use of a standard Web browser for viewing and management.
- ◆ Support ONVIF protocol

>>| Applications Scenarios

Suitable for corridor,warehouse,residential zone,underground parking,supermarkets,bars and other low light or total darkness environment, etc.

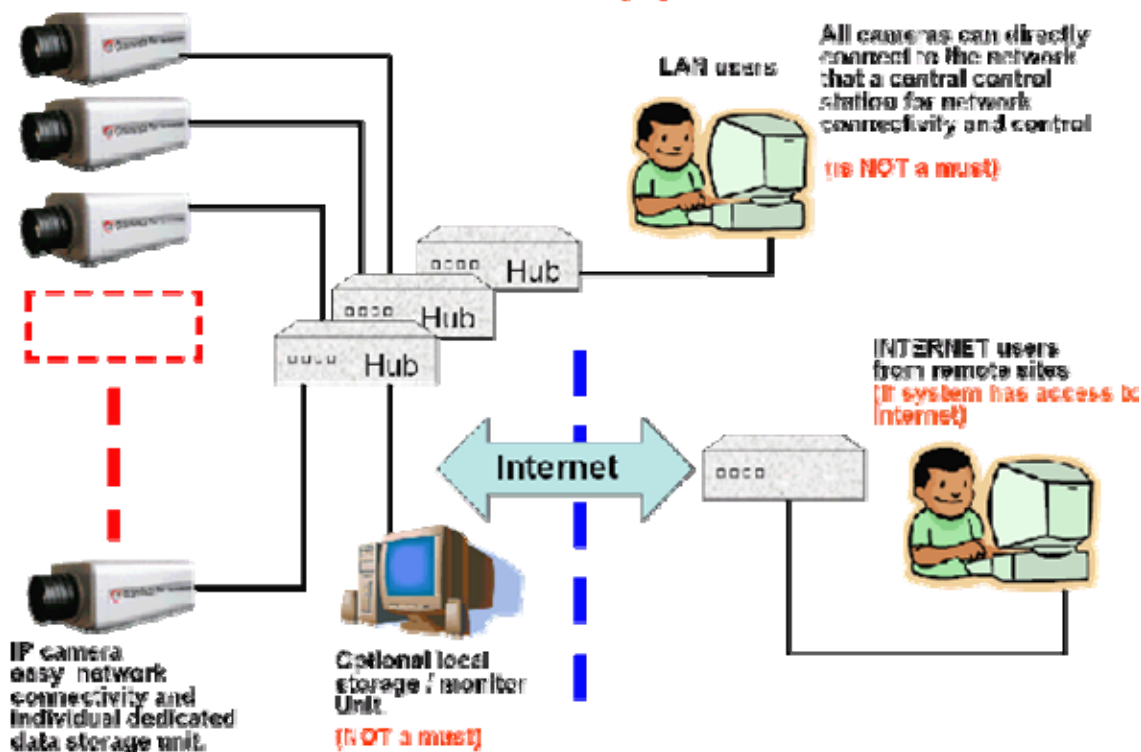
>>| Typical Application Diagram

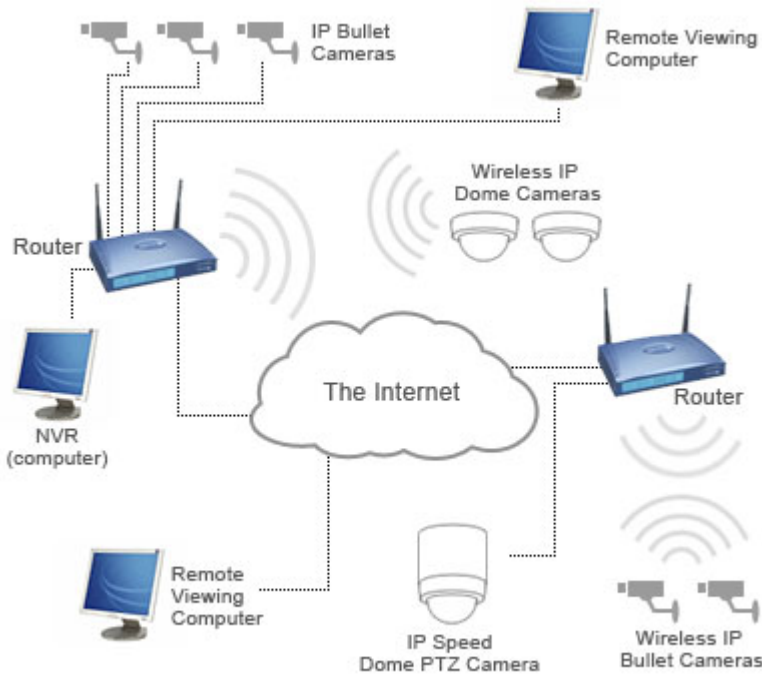
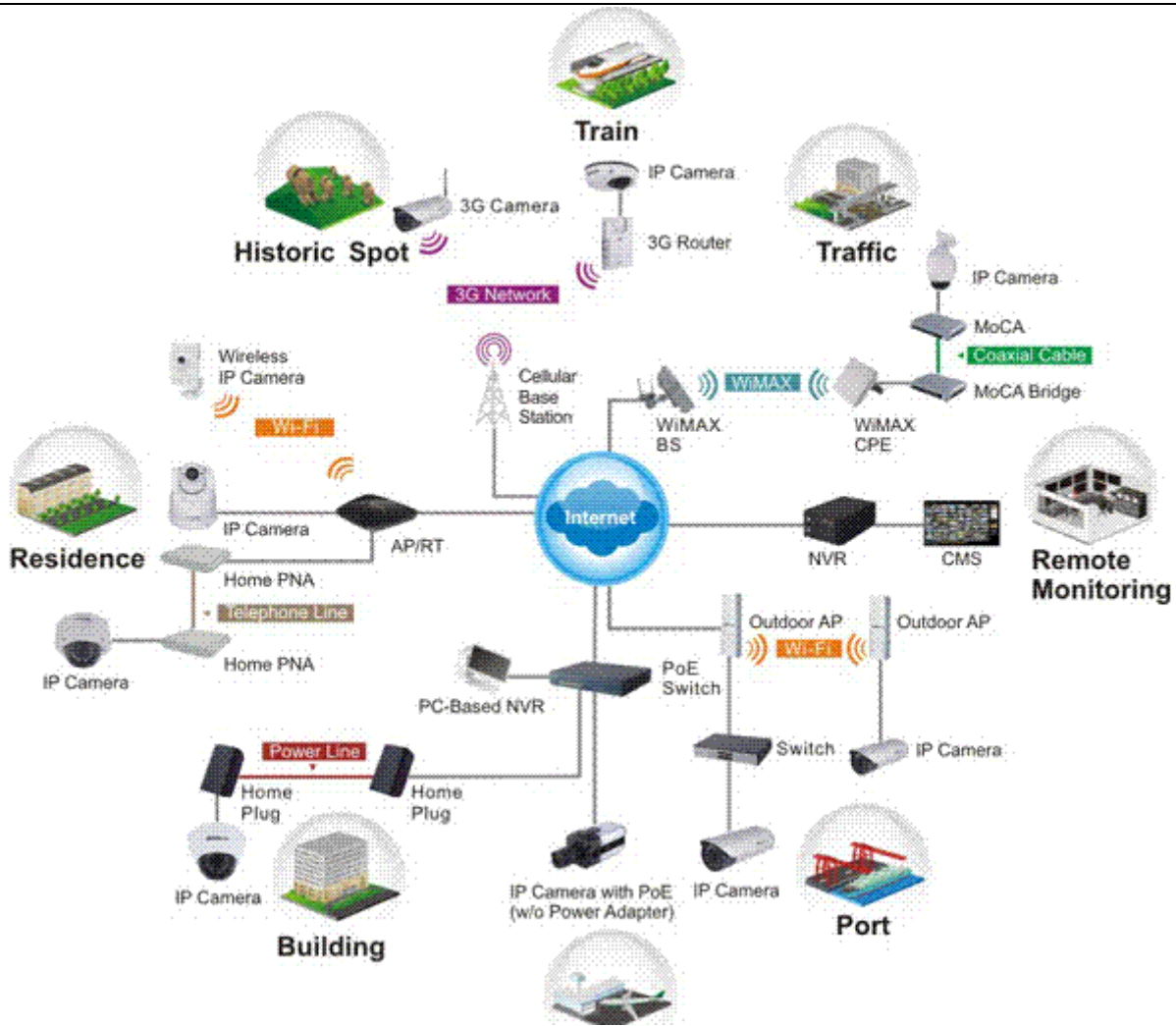
Single unit applications



- ✓ After it is setup and activated, the camera stores data on built-in SD card first-in-first-out basis. No maintenance is required.
- ✓ Ideal for single camera application. No central processing or data recording unit is required.
- ✓ Your most powerful and cost-effective choice for single camera application.

Multi-camera applications







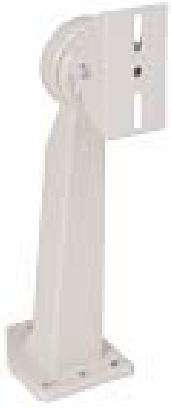
>>| Specification

Model		IPC401BMPC-TD/(-W)
Hardware		
Network chip	Lan	Realtek 10/100M BASE-TX Self-adapting
Sensor		1/3" Progressive Scan CMOS
Effective Pixels		1920(H)×1080(V)
Min. Illumination		Color Mode:0.1Lux@F1.2; B/W Mode:0Lux@(F1.2 IR ON)
S/N		≥50db(AGC OFF)
Day/night		Auto, with ICR
IR Parameters		42 IR LEDs,IR distance 30m
Auto Electronic Shutter		1/25—1/100000sec,Slow shutter:1/2,1/4,1/8,1/12
Interfaces		
Optical lens	Interfaces	Φ14
	Lens	Manual zoom
	Focal Length	2.8-12mm
Audio Talkback		1 channel MIC input, 3.5 mm audio interface
Audio Output		1 channel linear output, 3.5 mm audio interface
Storage Interface		Micro SDHC card supports video storage and image snapping; SD2.0 standard, maximum storage 32G
Network Interface	Lan	10/100M BASE-TX,RJ-45 connector
I/O		1-channel input, Normally Open/Normally Close modes adjustable; 1-channel output, 120VAC 1A/24VDC 1A,1 RS485 interface
Audio video encoding		

Video Compression		H.264 Main Profile; MJPEG/JPEG Baseline
Resolution	Master Streaming	1920*1080,1-25(30)fps/sec 1280*960,1-25(30)fps/sec 1280*720,1-25(30)fps/sec
	Second Streaming	640*480,1-25fps/sec 320*240,1-25fps/sec 160*112,1-25fps/sec
Video Bitrates		32Kbps~16Mbps, Supports CBR/VBR
Title OSD		Supports channel name, date, and video stream information overlay; OSD location is adjustable
Audio Compression		G.711, G.726, support 32 K stereo
Data transmission and storage		
Data storage		Video and Image
Recording		Recording set up to record by motion trigger, alarm trigger, manual, or schedule
Alarm Output		FTP, E-mail, Explorer, Software
Network protocol		TCP/IP, UDP, RTP, RTSP, RTCP, HTTP, DNS, DDNS, DHCP, FTP, NTP, PPPOE, SMTP, UPNP
Wireless protocols(-W)		802.11b/g, Supports WEP, WPA, WPA2("-w" model supports)
ONVIF protocol		Support
Remote View	Computer	Internet Explorer v6 or Later; Mozilla Firefox v1.5 or Later, or other Java-enabled Browsers, Chrome, Opera, Safari, max 10user
	Mobile Phone	Windows Mobile, Symbian, iPhone
General Parameters		
Operating Temperature		-10°C - +55°C
Operating Humidity		0% - 90%
Power		DC12V
Power Consumption		9W(MAX)
Dimension		165(L) * 83.2*Φ74.1mm
Weight		0.6KG
Model		Marks
IPC401BMPC-TD		2 Mega 1/3" Progressive Scan CMOS CCD, IR, ICR
IPC401BMPC-TD-W		2 Mega 1/3" Progressive Scan CMOS CCD, IR, ICR, WiFi

>>| Optional Accessories

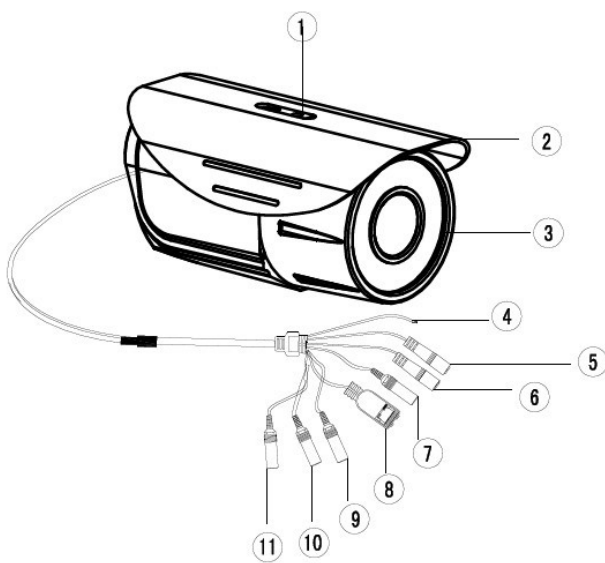
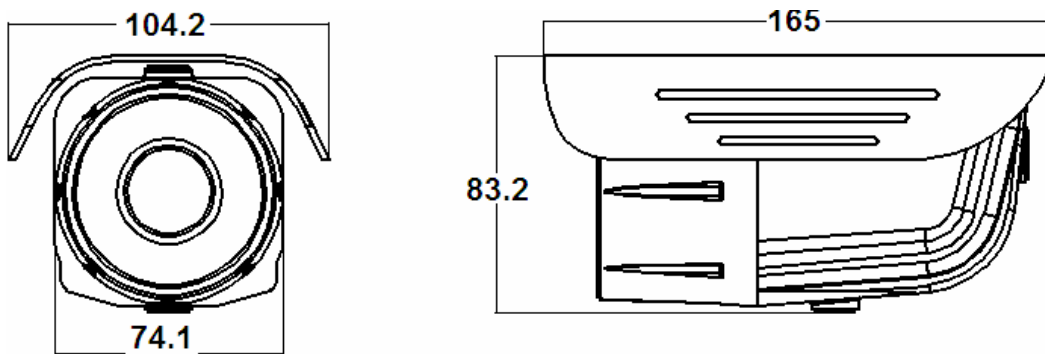
Bracket



Notes:

We packed the units with free accessories; default packed depends on stock and the device's feature requirement. If you need specify the type, please inform us when you order.

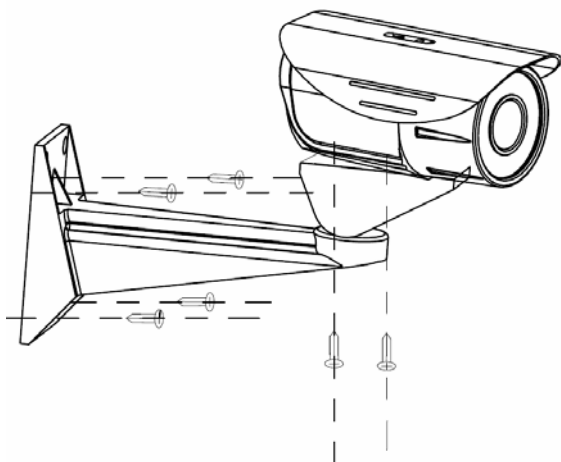
>>| Dimension Drawing



- ① SCREW HOLE*2
- ② SUNSHADE
- ③ FRONT COVER
- ④ RESET
- ⑤ ALARM OUTA+/ALARM OUTB-
- ⑥ ALARM IN+/GND-
- ⑦ RS485+/RS485-
- ⑧ RJ45
- ⑨ AUDIO IN
- ⑩ AUDIO OUT
- ⑪ DC 12V INPUT

>>| Installation Guide

Installation Bracket:



Lens adjustment:

