

IPC400N-MPC Series Mega Pixels HD Box IP Camera Specifications



>>| Product Introduction

IPC400N-MPC series IP camera is based on IP network achieve network digital surveillance; transmit clear, smooth video surveillance images.

IPC400N-MPC series use Mega Pixels 1/3"Progressive Scan CMOS and advanced H.264 codec, Maximum digital images resolution: 1280*720 or 1280*960 (IPC400N-MPC-MPK). Supports dual streaming, Transmit high-quality H.264 video in the low-bandwidth network environment smooth, also supports MJPEG compression; Support DC drive auto iris lens; Support audio, alarm function, provide third-party systems integration interface. The series are suitable for public security, banking, ports, schools, buildings, residential zone and other places, Have excellent image reproduction capability in the low illumination environment, It is a good choice for digital HD video network surveillance.

>>| Naming rules

IPC400N-MPC – X

Network type

WiFi: Wireless WIFI network

POE: POE Power supply

3G: 3G WCDMA (HSDPA/HSUPA/HSPA+) or CDMA2000 EVDO

>>| Key Features

- ◆ Max resolution:1280×720, output HD 720P image; 1280*960 (for IPC400N-MPC-MPK)
- ◆ 1/3"Progressive Scan CMOS sensor,
- ◆ Capture motion images without jagged (for IPC400N-MPC-MPK)
- ◆ Excellent low light performanc,Min.Illumination:0.05Lux@(F1.2) (For IPC400N-MPC-WDRD)
- ◆ WDR≥110dB (For IPC400N-MPC-WDR)

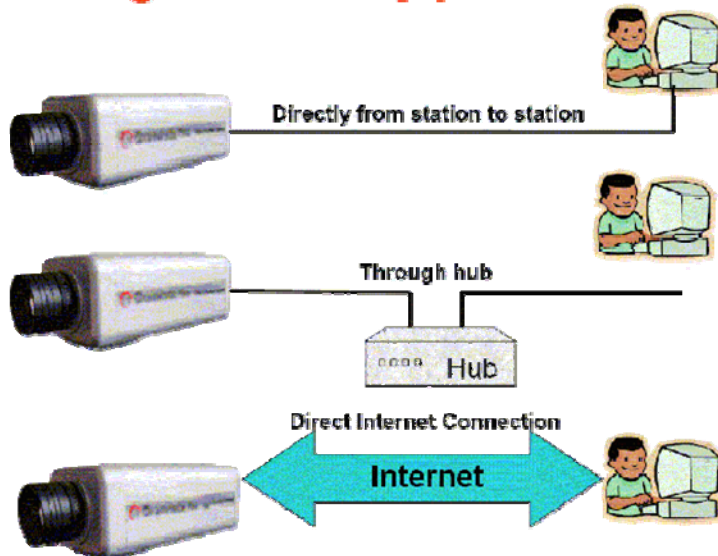
- ◆ H.264/MJEG is optional, dual streaming, high compression ratio, and high quality.
- ◆ Auto iris, auto electronic shutter
- ◆ High signal-to-noise ratio, Clear image
- ◆ Built-in MIC, two-way talking
- ◆ 1 channel CVBS video output
- ◆ Support SDHC storage; SD2.0 standard, maximum storage 32G
- ◆ Power supply: DC12V/POE (Optional)
- ◆ Support 4 area privacy mask
- ◆ Support motion detection, network fault detection and alarm video, image snapping
- ◆ Built-in Web server enables the use of a standard Web browser for viewing and management.
- ◆ Support ONVIF protocol

>>| Applications Scenarios

Suitable for Finance, telecommunications, government, schools, airports, factories, hotels, museums, transportation etc.

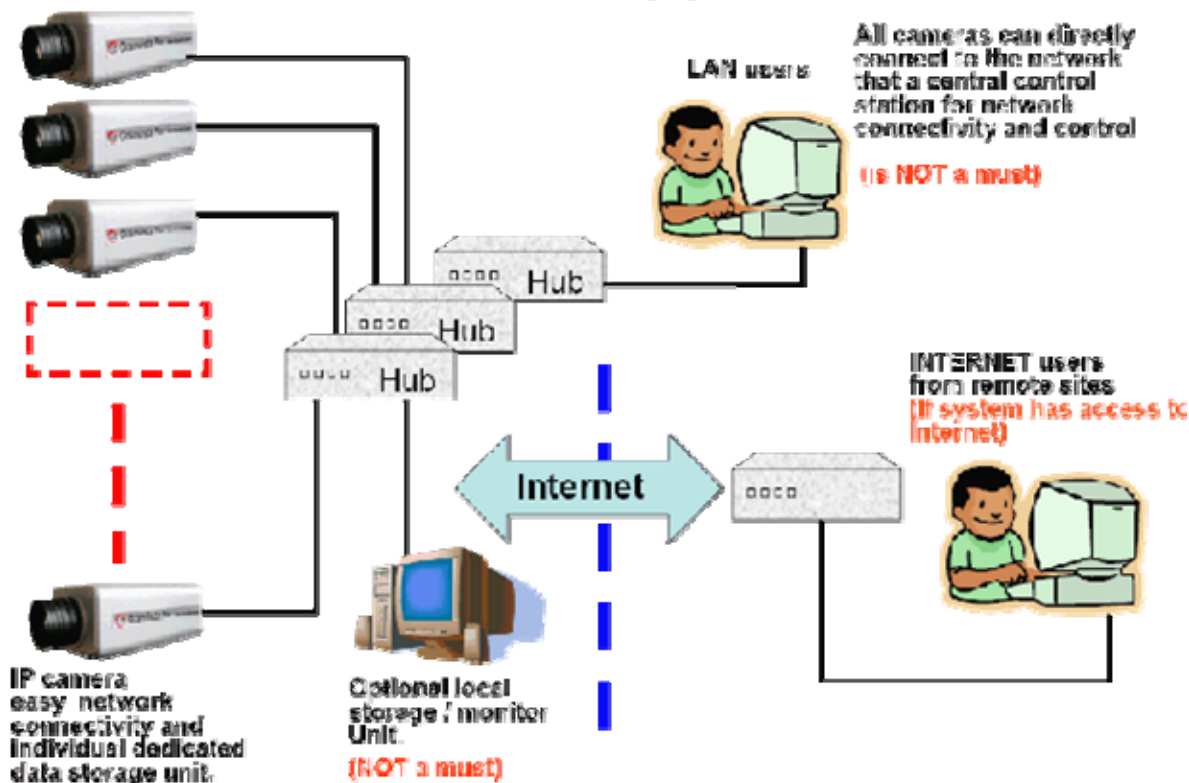
>>| Typical Application Diagram

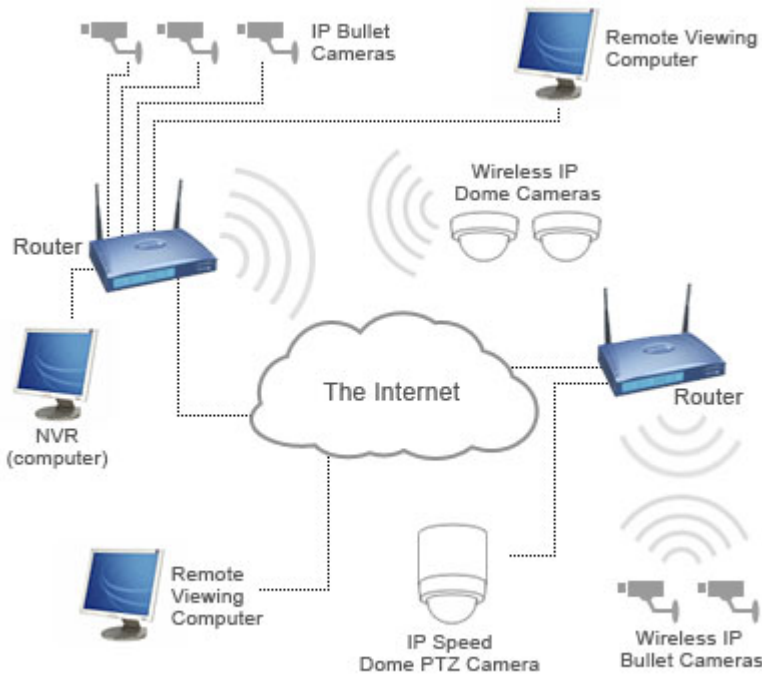
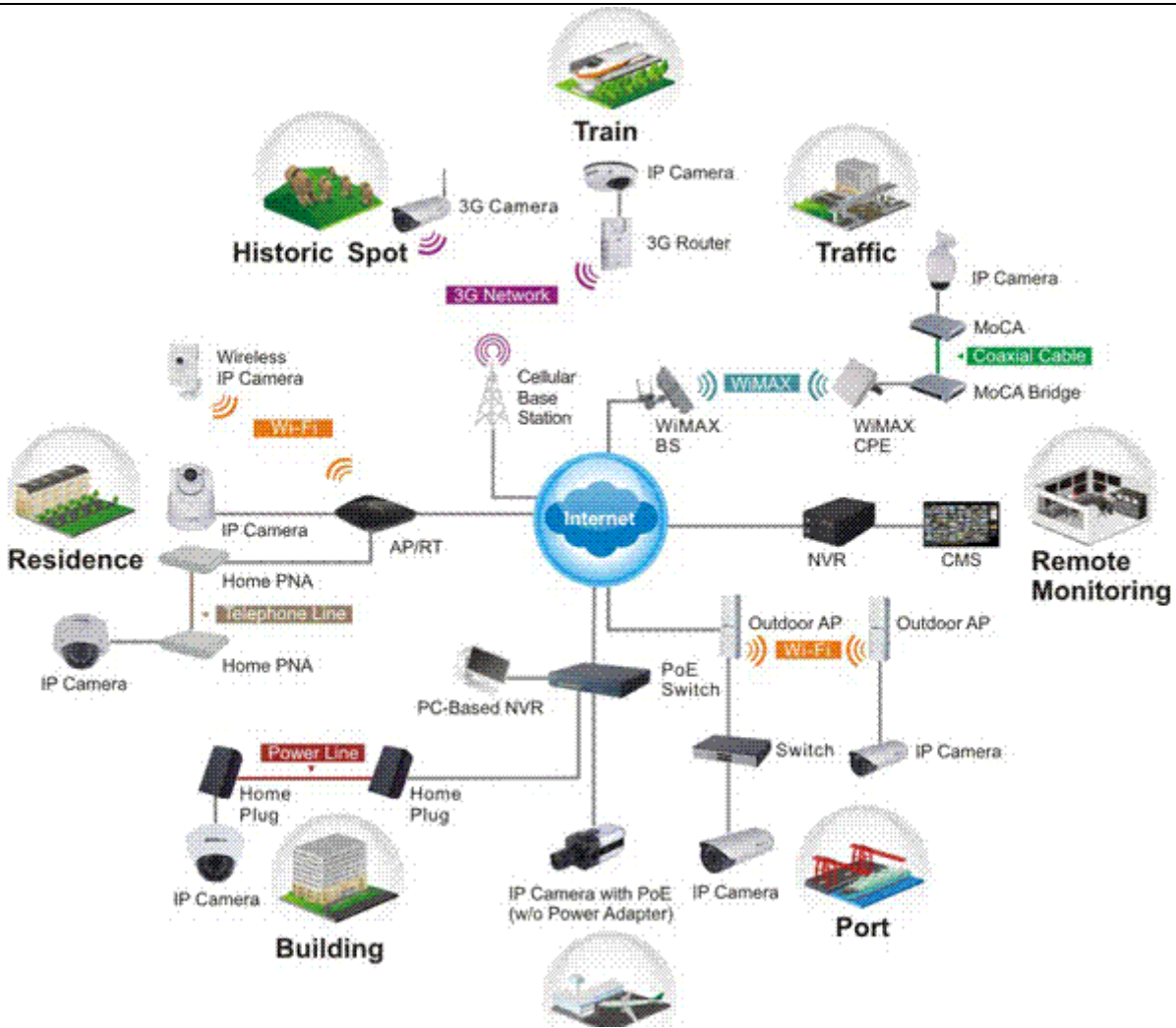
Single unit applications



- ✓ After it is setup and activated, the camera stores data on built-in SD card first-in-first-out basis. No maintenance is required.
- ✓ Ideal for single camera application. No central processing or data recording unit is required.
- ✓ Your most powerful and cost-effective choice for single camera application.

Multi-camera applications







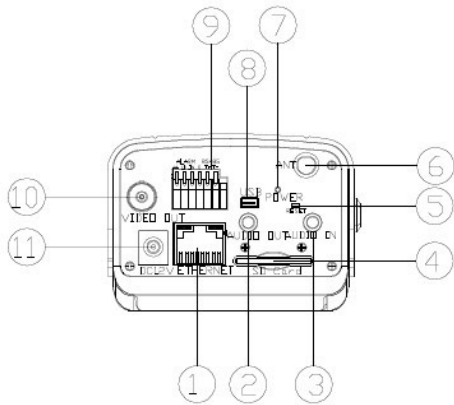
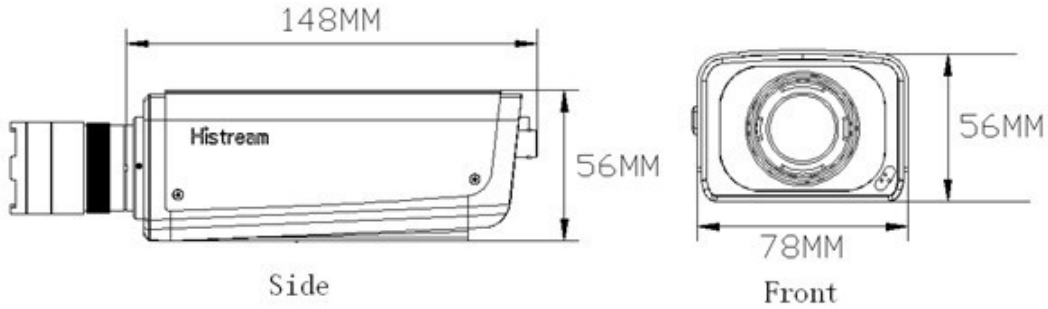
>>| Specification

Model		IPC400N-MPC/(-W)/(-POE)
Hardware		
Network chip	Lan	Realtek 10/100M BASE-TX Self-adapting
Sensor		1/3" Progressive Scan CMOS IPC400N-MPC-WDR: 1/3" Progressive Scan WDR CMOS
Effective Pixels		1280(H)×720(V) IPC400N-MPC-MPK: 1280(H)×960(V)
Total pixels		2.0M
Min. Illumination		Color Mode:0.5Lux@F1.2, B/W Mode:0.01Lux@F1.2; IPC400N-MPC-WDRD: Color Mode:0.05Lux @F1.2 IPC400N-MPC-MPK: Color Mode:0.1Lux@F1.2;B/W Mode:0.01Lux@F1.2
S/N		≥50db(AGC OFF)
Auto Electronic Shutter		Auto; IPC400N-MPC-MPK: 1/25-1/100000sec, Slow shutter:1/2, 1/4, 1/8, 1/12sec
Day/night		IPC400N-MPC-WDR : Manual IPC400N-MPC-MPK: Auto
WDR		≥110dB (For IPC400N-MPC-WDR)
Interfaces		
CVBS video output		1 channel ,BNC connector
Optical lens	Interfaces	CS/C(Mount adapter)
	Lens	Auto Iris(DC drive)
	Focal Length	Optional
Audio Talkback		1 channel MIC input, 3.5 mm connector
Audio Output		1 channel output, 3.5 mm connector

Storage Interface		SDHC card supports video storage and image snapping; SD2.0 standard, maximum storage 32G
Network Interface	Lan	10/100M BASE-TX,RJ-45 connector
I/O		1-channel input, Normally Open/Normally Close modes adjustable; 1-channel output, 120VAC 1A/24VDC 1A,1 RS485 interface
Audio video encoding		
Video Compression		H.264 Main Profile; MJPEG/JPEG Baseline
Resolution	Master Streaming	1280*720,1-25(30)fps/sec
	Second Streaming	640*480,1-25fps/sec
		320*240,1-25fps/sec 160*112,1-25fps/sec
Video Bitrates		32Kbps~16Mbps,Supports CBR/VBR
Title OSD		Supports channel name, date, and video stream information overlay; OSD location is adjustable
Audio Compression		G.711, G.726,support 32 K stereo
Data transmission and storage		
Data storage		Video and Image
Recording		Recording set up to record by motion trigger, alarm trigger, manual, or schedule
Alarm Output		FTP,E-mail, Explorer, Software
Network protocol		TCP/IP,UDP,RTP,RTSP,RTCP,HTTP,DNS,DDNS,DHCP,FTP,NTP,PPPOE,SMTP,U PNP
Wireless protocols(-W)		802.11b/g/n,Supports WEP,WPA,WPA2("-w" model supports)
ONVIF protocol		Support
Remote View	Computer	Internet Explorer v6 or Later; Mozilla Firefox v1.5 or Later, or other Java-enabled Browsers, Chome, Opera, Safari, max 10user
	Mobile Phone	Windows Mobile, Symbian, iPhone
General Parameters		
Operating Temperature		-10℃ - +55℃
Operating Humidity		0% - 90%
Power		DC12V/POE(IEEE 802.3af)(Optional)
Power Consumption		5W(MAX)
Dimension		148(L) * 78(W) *56(H)mm(Lens not included)
Weight		0.56Kg
Model	Marks	Option
IPC400N-MPC	Basic type	
IPC400N-MPC-W	Support WiFi	
IPC400N-MPC-3GE	Support 3G CDMA2000 EVDO	
IPC400N-MPC-3GW	Support 3G WCDMA (HSDPA/HSUPA/HSPA)	
IPC400N-MPC-POE	Support POE	

IPC400N-MPC-ZIF	Support ZIF lens	
IPC400N-MPC-W-ZIF	Support WiFi + ZIF lens	
IPC400N-MPC-POE-ZIF	Support POE + ZIF lens	

>>| Dimension & Drawing



- ① RJ45
- ② AUDIO OUT
- ③ AUDIO IN
- ④ SDHC CARD SLOT
- ⑤ RESET
- ⑥ ANT
- ⑦ POWER
- ⑧ USB
- ⑨ ALARM IN/OUT
- ⑩ VIDEO OUT
- ⑪ DC12V

>>| Optional Accessories

Bracket



Shield



Megapixels 3.8-13mm lens or Normal Lens



Shield Bracket CP-5015



Notes:

We packed the units with free accessories; default packed depends on stock and the device's feature requirement. If you need specify the type, please inform us when you order.