

DVS800 Series DVS Specifications



>>| Product Introduction

DVS800 series based on IP network to achieve network digital surveillance, transmit clear, smooth video H.264 codec surveillance images.

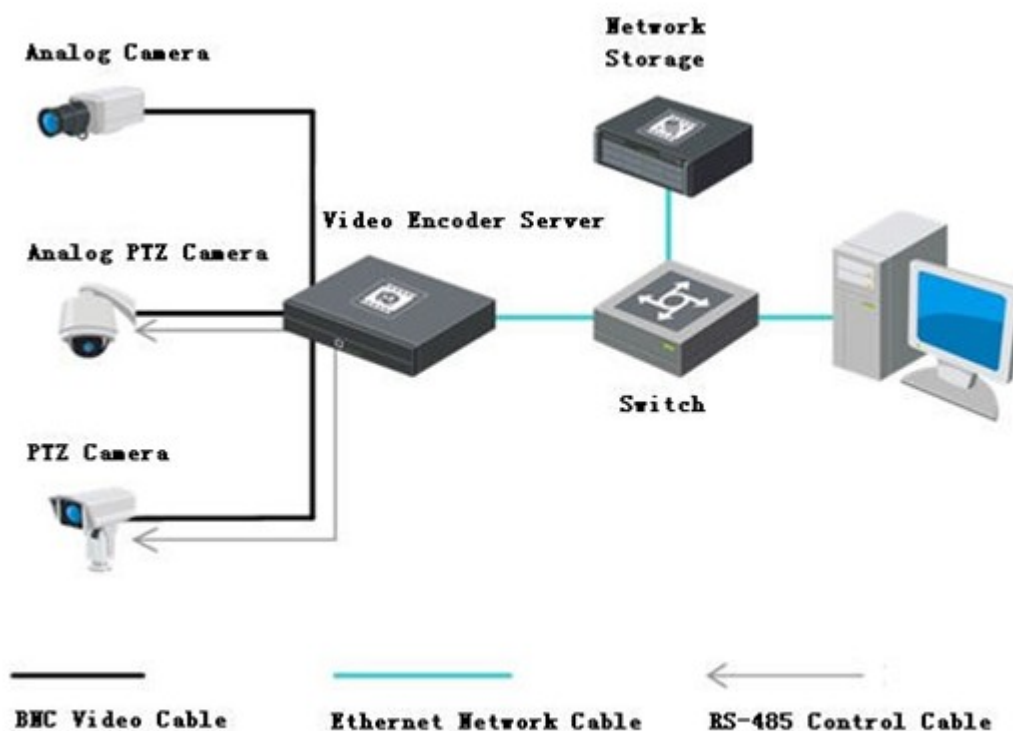
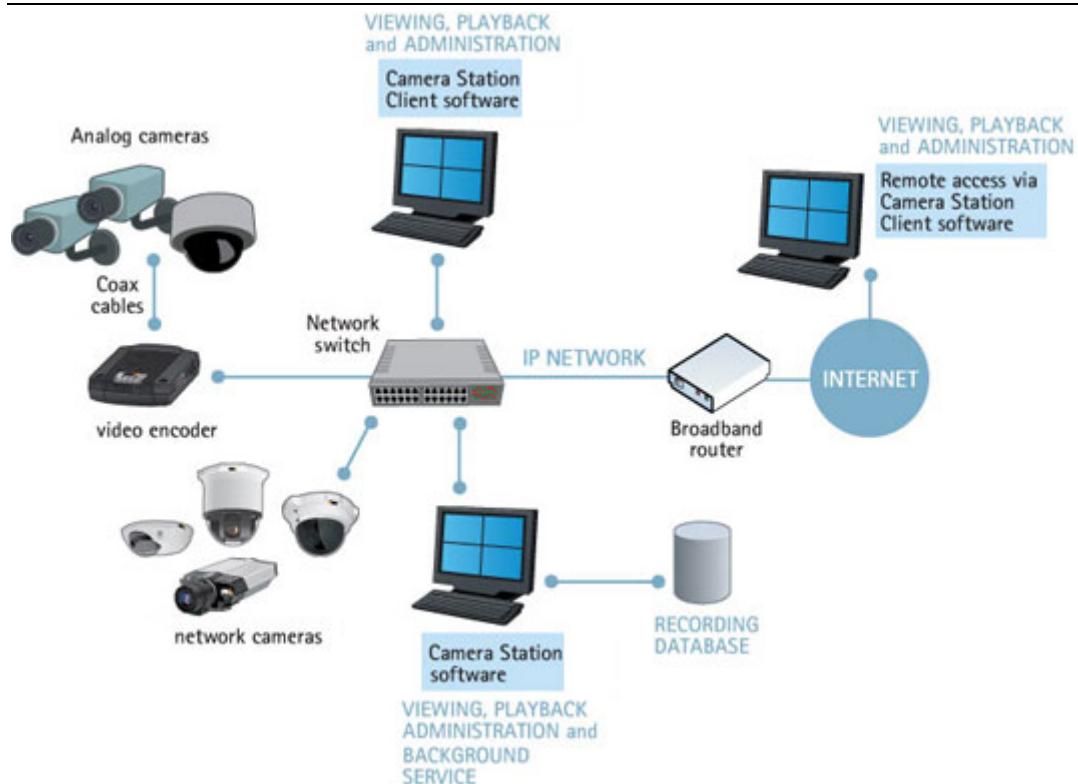
DVS800 series support 4 CVBS analog video input, Maximum resolution: D1(704*576), Supports dual streaming, Transmit high-quality H.264 video in the low-band width network environment smooth, also supports MJPEG compression, Support audio, alarm, PTZ control and matrix cont. SD card storage, provide third-party systems integration interface. Built-in low-power WiFi module (-W), Adapt to the LAN / WIFI wireless LAN and other network environments.

With video surveillance system software platform, can realize different network environments of large-scale network surveillance.

>>| Key Features

- Support 1/2/4 channel CVBS analog Video Input
- Maximum digital images resolution :D1(704*576)
- H.264/MJPEG is optional, dual streaming, low bandwidth, high compression ratio, and high quality.
- Live sound recording. Network two-way talking. audio broadcasting
- 4-channel alarm input. 4-channel alarm output
- Support RS485 communication protocol, support for multiple PTZ control protocols, transparent serial data transmission
- Support SDHC card storage, SD2.0 standard, maximum storage 32G
- Support multiple network protocol, adapt to the LAN / WIFI wireless LAN and other network environments
- Built-in Web server enables the use of a standard Web browser for viewing and management.

>>| Typical Diagram



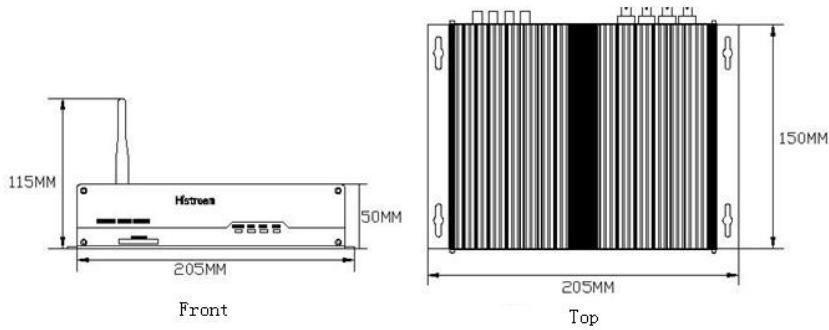
>>| Specification

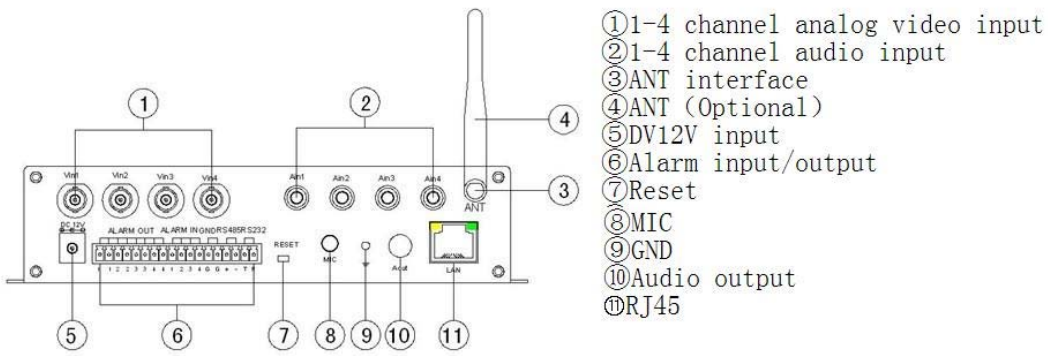
Model		DVS801/2/4C/D/(-W)/(-3G)
Interfaces		
Video input	CVBS input	1/2/4 channel, BNC connector(Level: 1.0Vp-p, Impedance:75Ω), PAL/NTSC Self-adapting

Audio input	1/2/4 channel, RCA connector(Level: 2.0Vp-p,Impedance:1KΩ)	
Audio output	1 channel linear output, RCA connector	
Audio Talkback	1channel MIC output(Level :2.0Vp-p,Impedance:1KΩ)	
Network Interface	10/100M BASE-TX,RJ-45 connector	
Alarm input	4-channel	
Alarm output	4-channel	
Control Interface	1 RS485 interface, 1 RS232 interface	
Storage Interface	SDHC card supports video storage and image snapping; SD2.0 standard, maximum storage 32G	
Audio video encoding		
Video Compression	H.264 Main Profile@Level 3.0 MJPEG/JPEG Baseline	
Dual stream	Supports	
Resolution	D1:704*576(PAL),704*480(N) Half-D1:704*288(PAL),704*240(N) CIF:352*288(PAL),352*240(N) QCIF:176*144(PAL),176*112(N)	
Video frame rate	PAL:1-25fps/sec ,N:1-30fps/sec (4-channel D1 model Only supports 1-15fps/sec)	
Video Bitrate	32Kbps~16Mbps,Supports CBR/VBR	
Title OSD	Supports channel name, date, and video stream information overlay; OSD location is adjustable	
Audio Compression	G711A, G711U,G.726, support 32 K stereo	
Data transmission and storage		
Data storage	Video and Image	
Recording	Recording set up to record by motion trigger, alarm trigger, manual, or schedule	
Alarm Output	FTP,E-mail, Explorer, Software	
Network protocol	TCP/IP. UDP. RTP. RTSP. RTCP. HTTP. DNS. DDNS. DHCP. FTP. NTP. PPPOE. SMTP. UPNP	
Wireless protocols	802.11b/g. Supports WEP,WPA,WPA2	
ONVIF protocol	Supports	
Remote View	Computer	Internet Explorer v6 or Later; Mozilla Firefox v1.5 or Later, or other Java-enabled Browsers, Chome, Opera, Safari, max 10user
	Mobile Phone	Windows Mobile. Symbian. iPhone
General Parameters		
Operating Temperature	-10℃ - +55℃	
Operating Humidity	0% - 90%	
Power	DC12V	
Power Consumption	5W(MAX)	
Dimension	205(L)*150(W) *50(H)mm	
Weight	0.8Kg	
Model	Marks	
DVS801C		

DVS802C	
DVS804C	
DVS801D	
DVS802D	
DVS804D	
DVS801C-W	With WiFi
DVS802C-W	With WiFi
DVS804C-W	With WiFi
DVS801D-W	With WiFi
DVS802D-W	With WiFi
DVS804D-W	With WiFi
DVS801C-3GE	With 3G CDMA2000 EVDO
DVS802C-3GE	With 3G CDMA2000 EVDO
DVS804C-3GE	With 3G CDMA2000 EVDO
DVS801D-3GE	With 3G CDMA2000 EVDO
DVS802D-3GE	With 3G CDMA2000 EVDO
DVS804D-3GE	With 3G CDMA2000 EVDO
DVS801C-3GW	With 3G WCDMA HSPA (HSDPA/HSUPA)
DVS802C-3GW	With 3G WCDMA HSPA (HSDPA/HSUPA)
DVS804C-3GW	With 3G WCDMA HSPA (HSDPA/HSUPA)
DVS801D-3GW	With 3G WCDMA HSPA (HSDPA/HSUPA)
DVS802D-3GW	With 3G WCDMA HSPA (HSDPA/HSUPA)
DVS804D-3GW	With 3G WCDMA HSPA (HSDPA/HSUPA)

>>| Dimension Drawing





- ① 1-4 channel analog video input
- ② 1-4 channel audio input
- ③ ANT interface
- ④ ANT (Optional)
- ⑤ DV12V input
- ⑥ Alarm input/output
- ⑦ Reset
- ⑧ MIC
- ⑨ GND
- ⑩ Audio output
- ⑪ RJ45